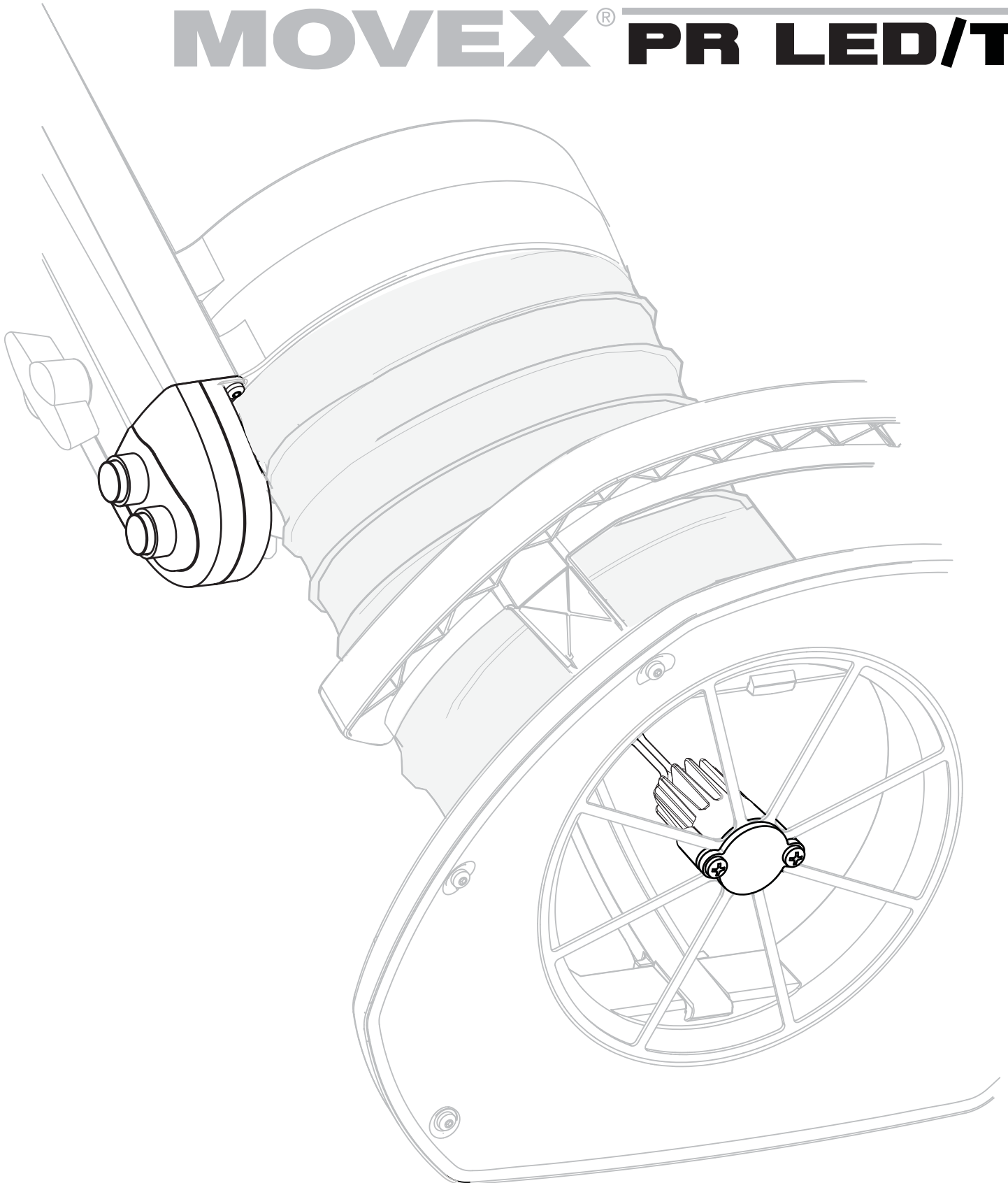
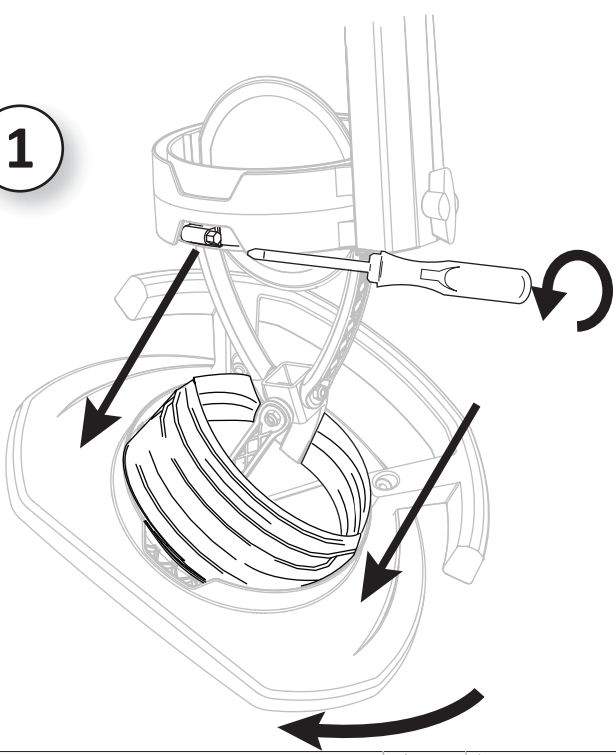


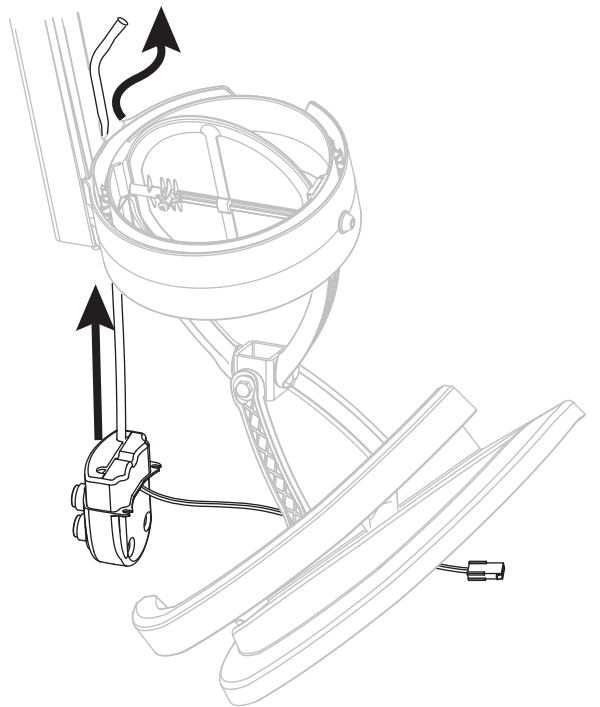
MOVEX[®] PR LED/T



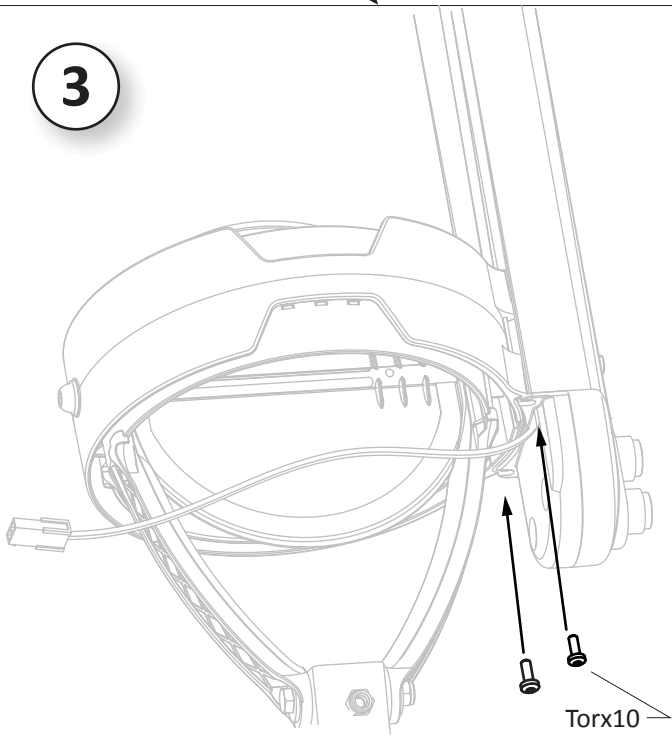
1



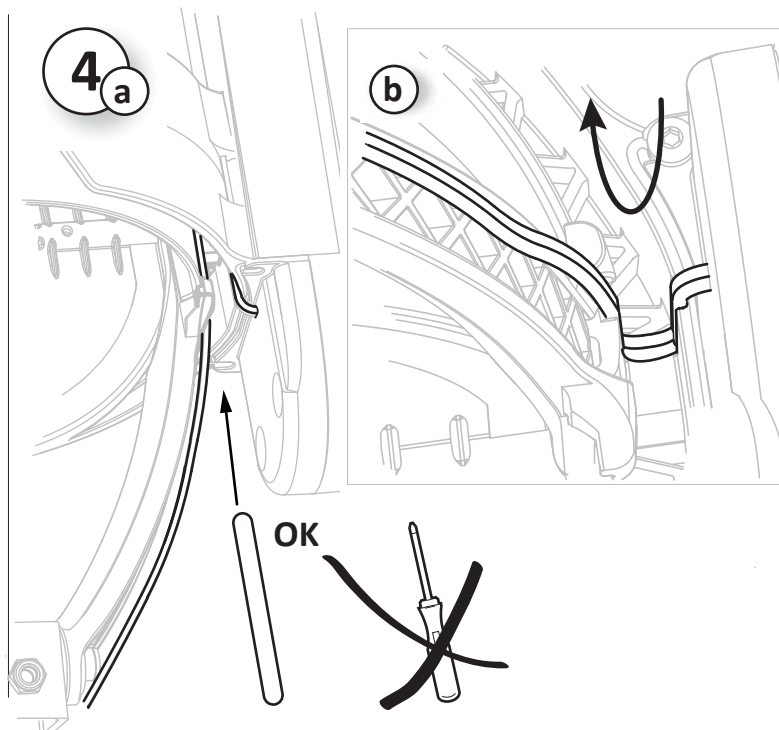
2



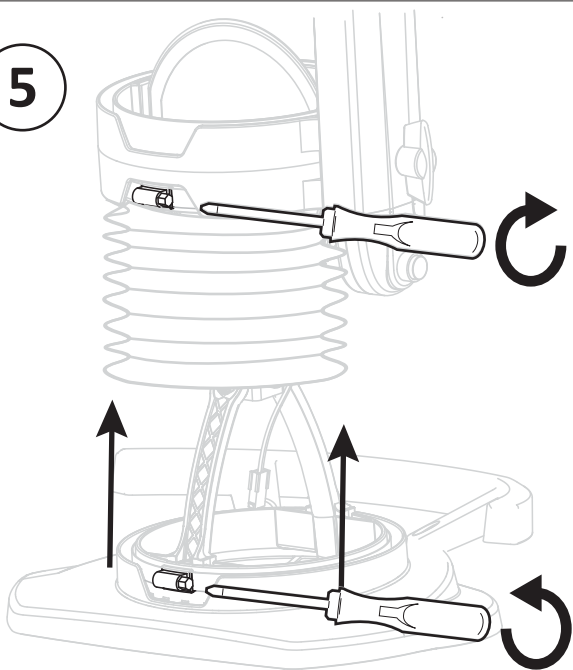
3



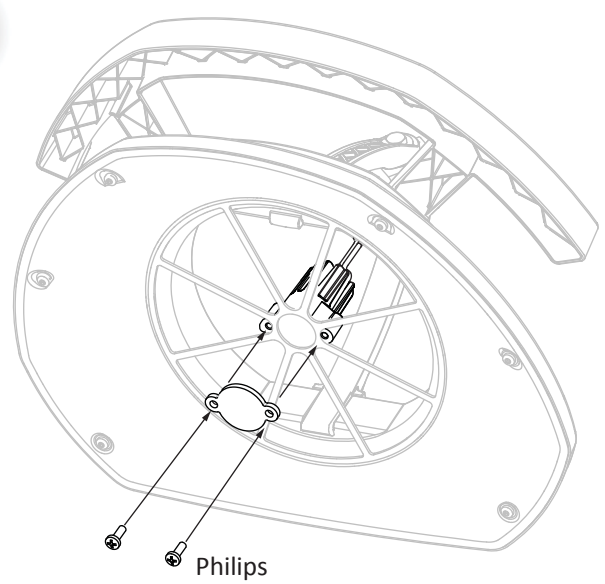
4_a



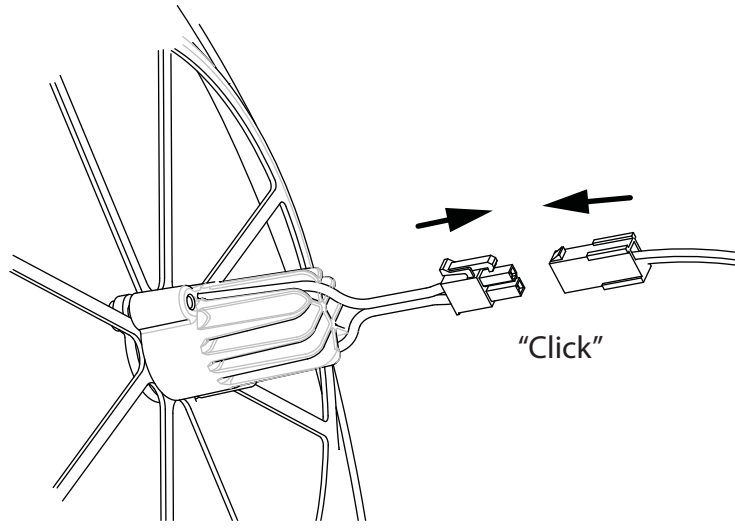
5



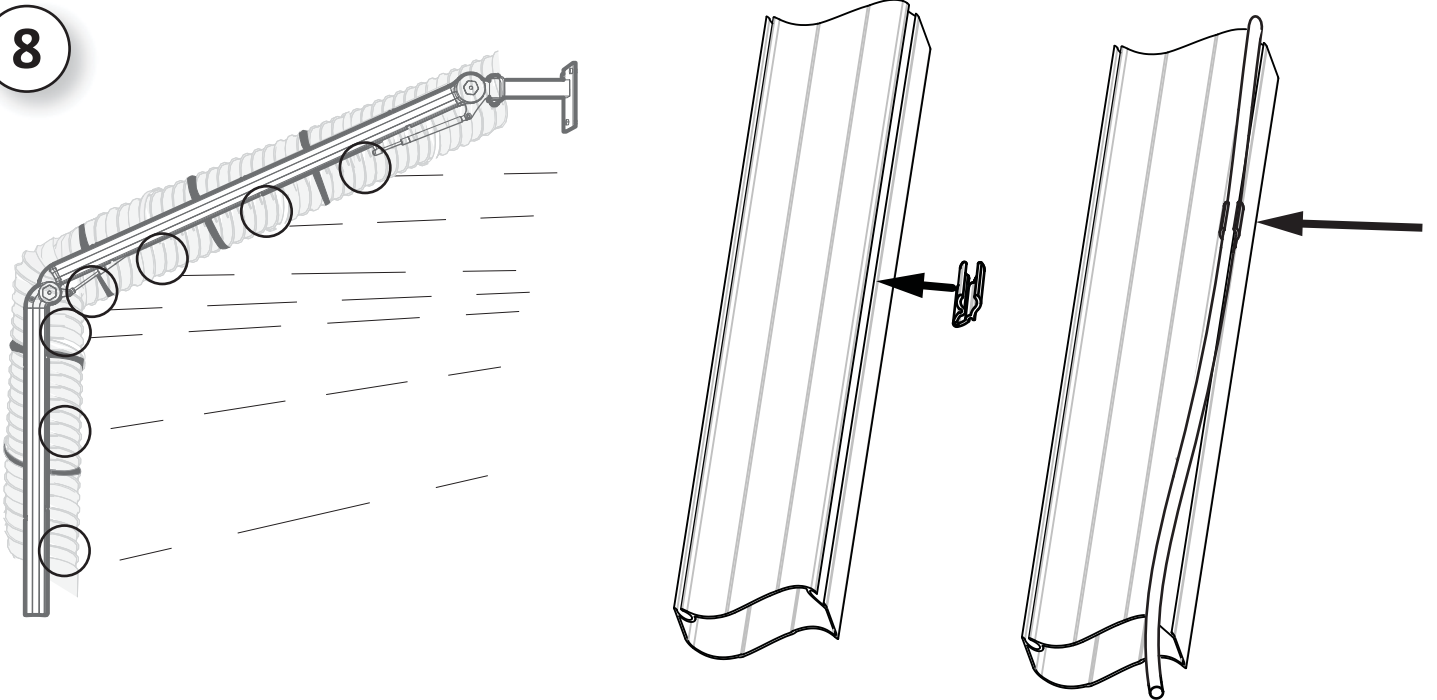
6



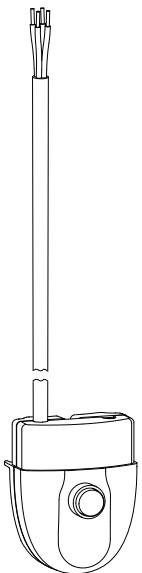
7



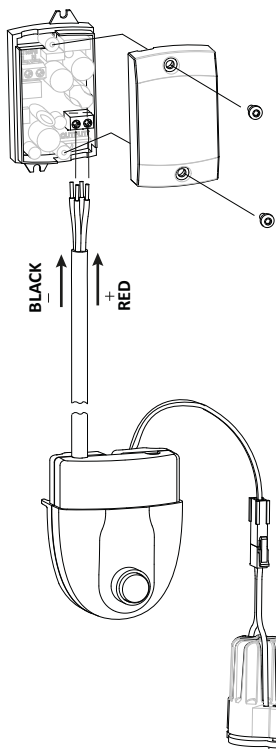
8



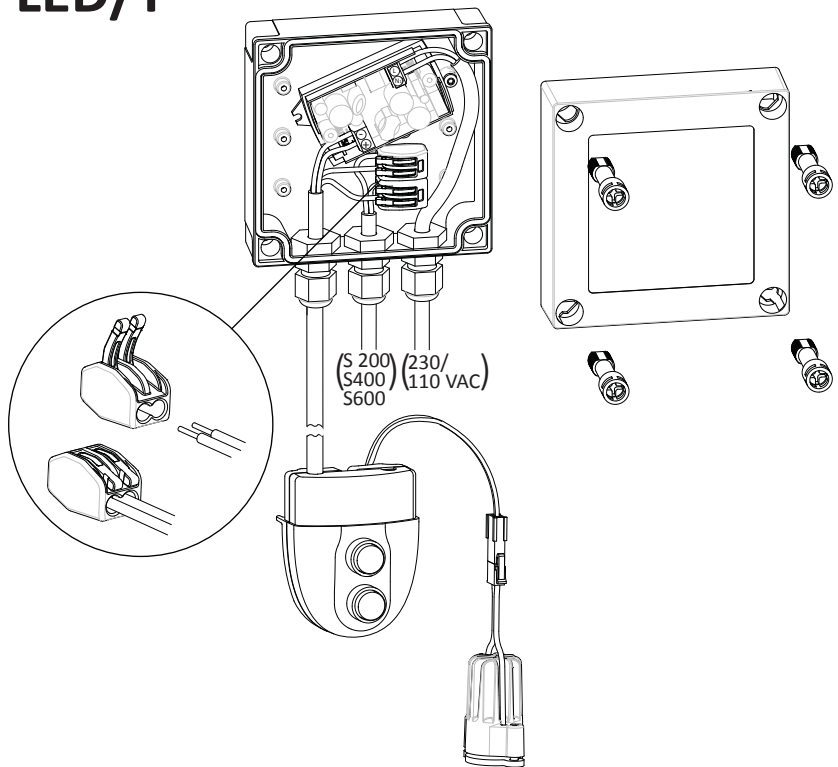
T



LED



LED/T



Design

Push Button Kit PR T, PR LED and LED PR / T is Developed for easy starting / stopping of example lamp, fan and damper. If running the LED lamp use the enclosed power supply.

Power supply has built-in AC / DC Converters and supplies the LED with a constant current (350mA). Maximum one lamp can be connected to each power supply.

Installation

Terminal INPUT, 100-240V 1N~ (1).

Terminal OUTPUT, 3-21VDC @350mA (2).

Technical data:

Effect:	Max 6W
Frequency:	50-60 Hz
Terminal:	Max awg 15/terminal
Ambient temp.:	32 to +130°F
Weight:	1.2 ounces

Meets requirements

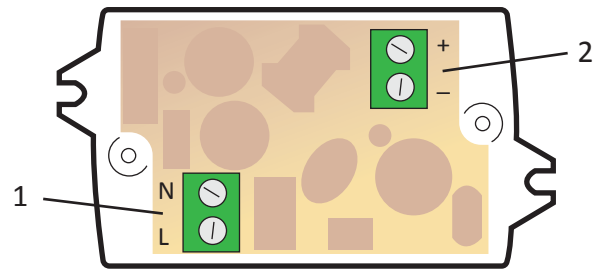
Lighting Materials - General:	EN 61347-1
Lighting Materials - Safety:	EN 61347-2-13
RoHS directive:	2011/65/EU

Housing

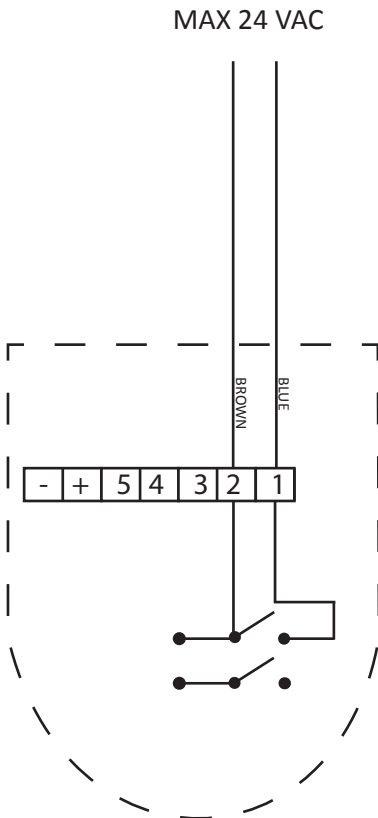
Material:	PCB
IP Rating:	IP 20
Dimension:	2 ^{11/16} x1 ^{7/16} x ^{13/16} inches

Maintenance

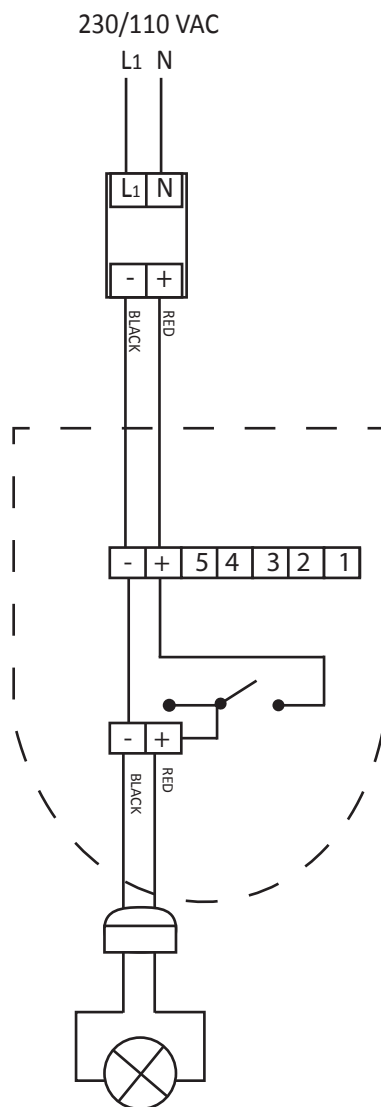
Maintenance free



T



LED



LED/T

