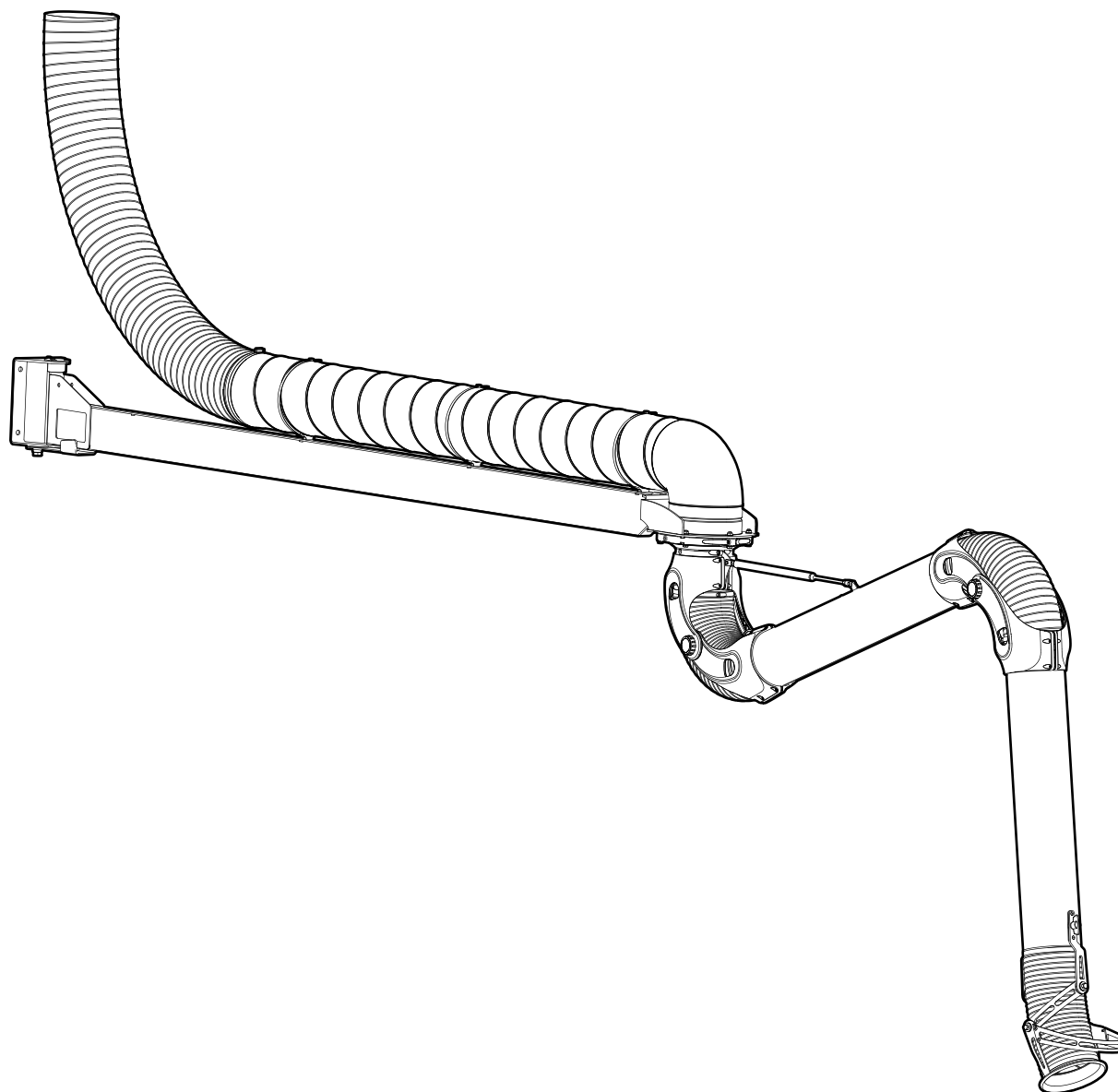




# PRX

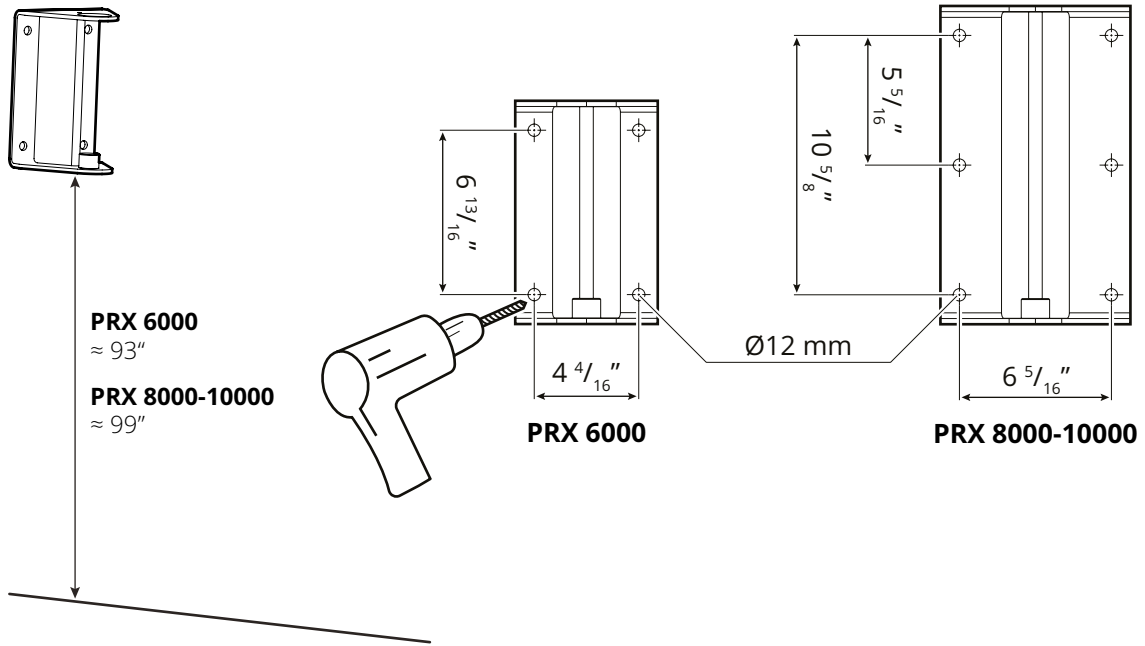
6000/8000/10000



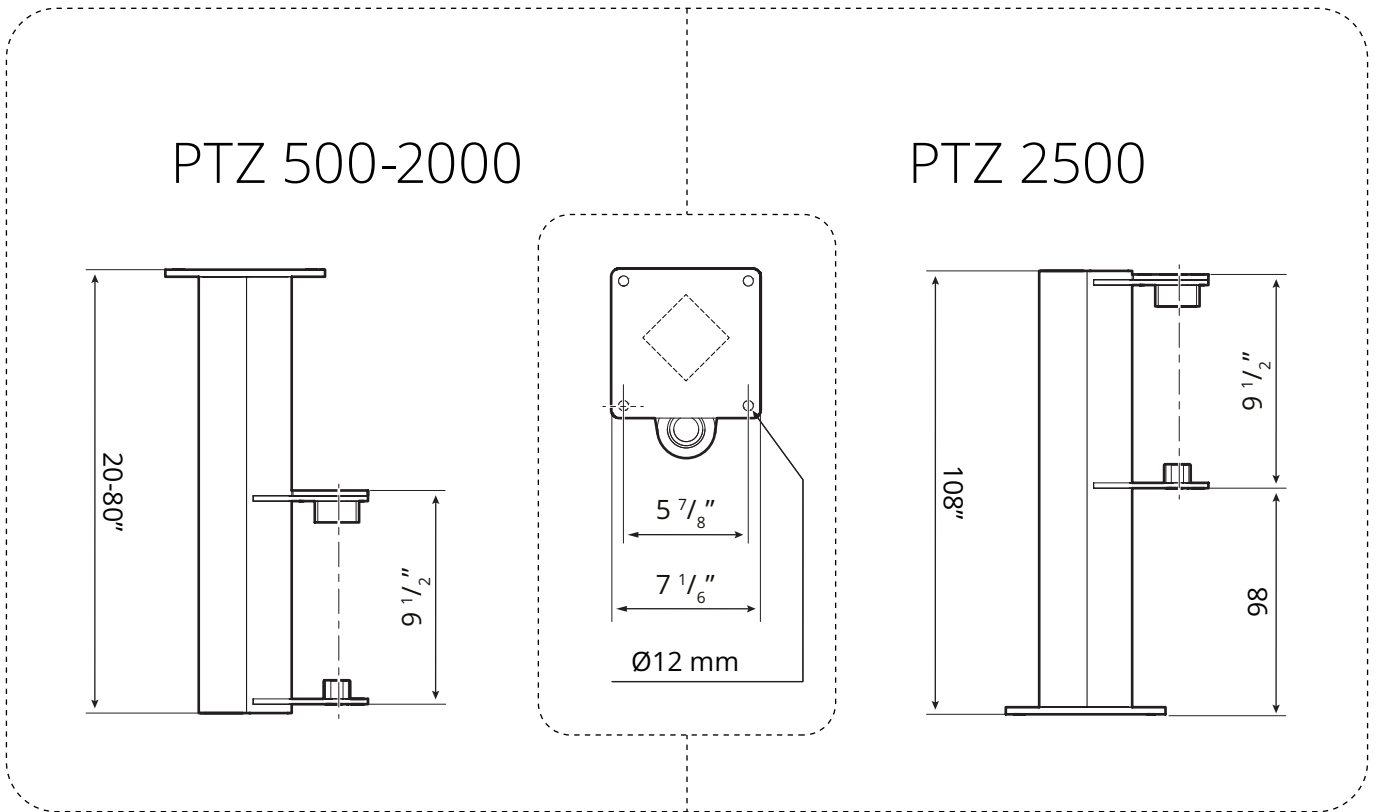
# MOVEX

PURE ADVANTAGE

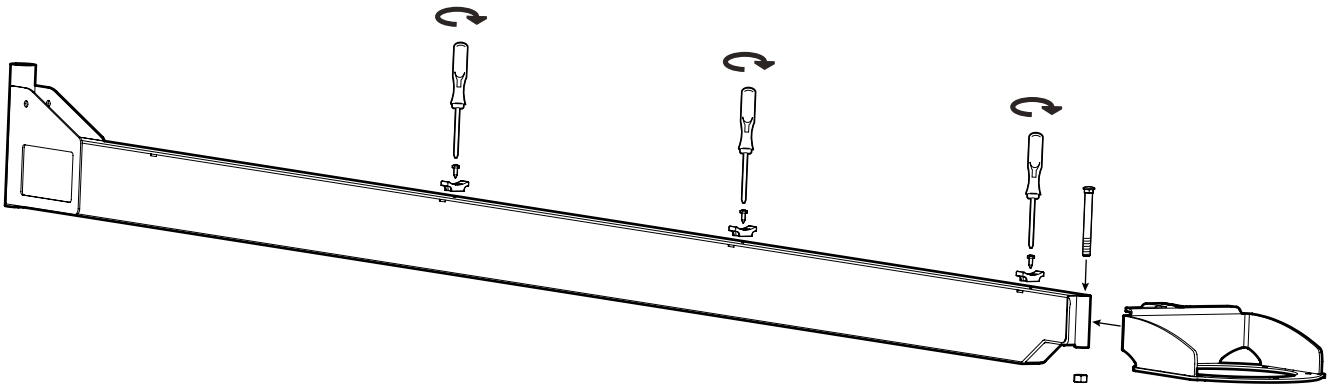
1



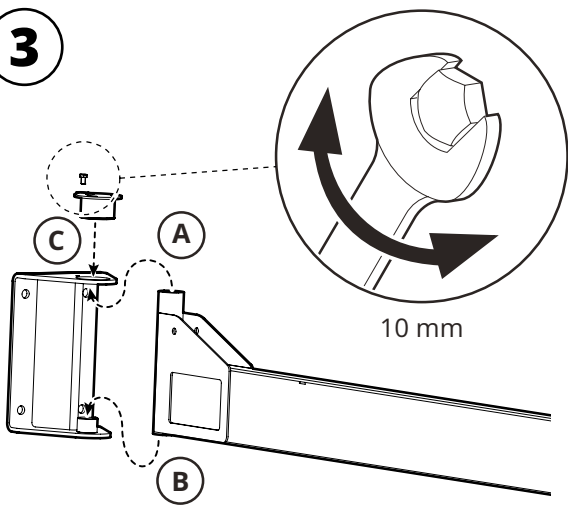
## PRX 6000



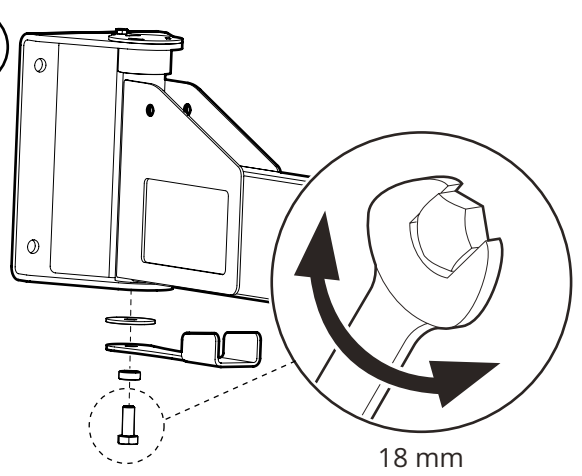
2



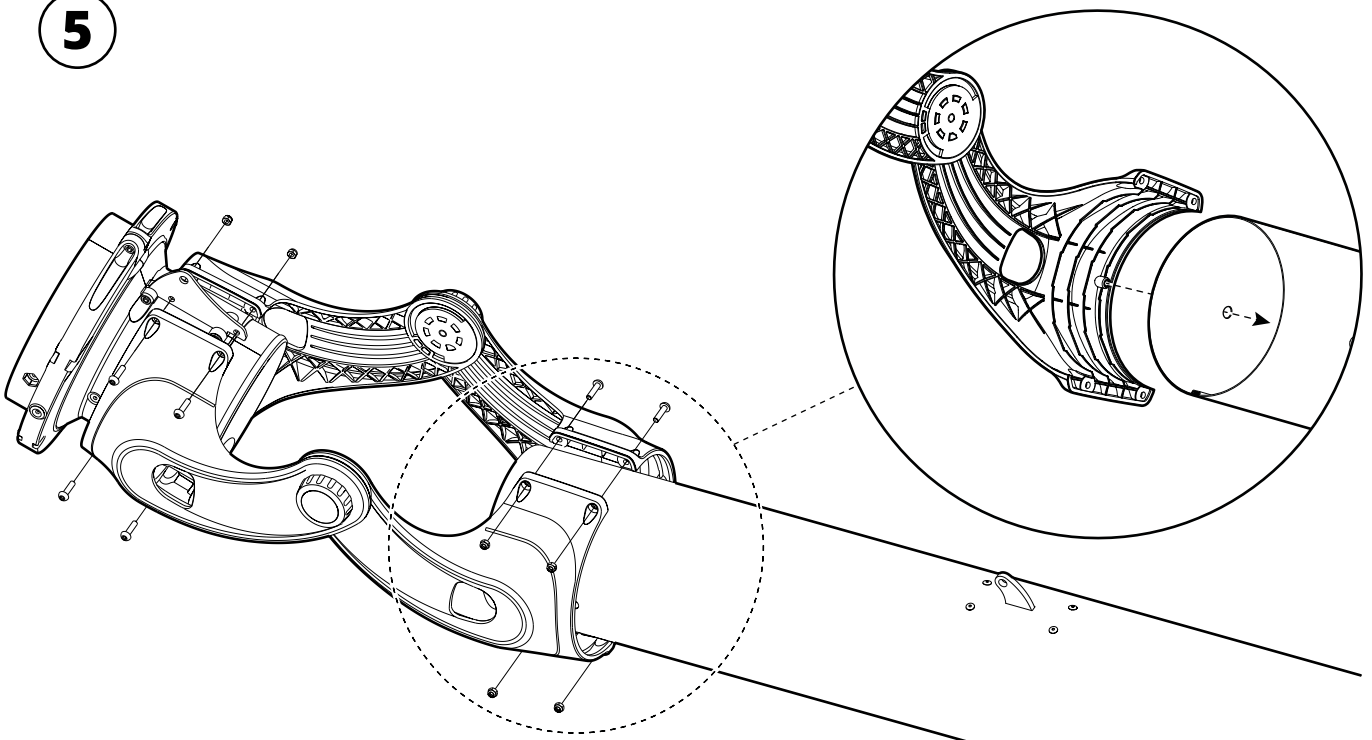
3



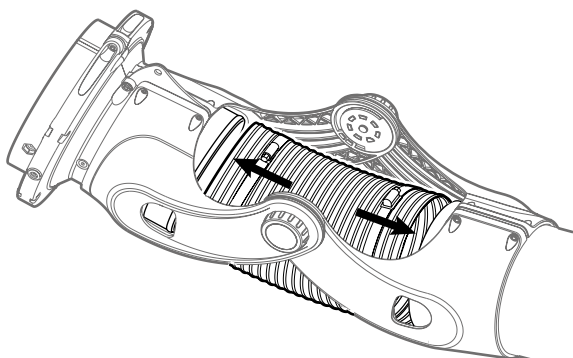
4



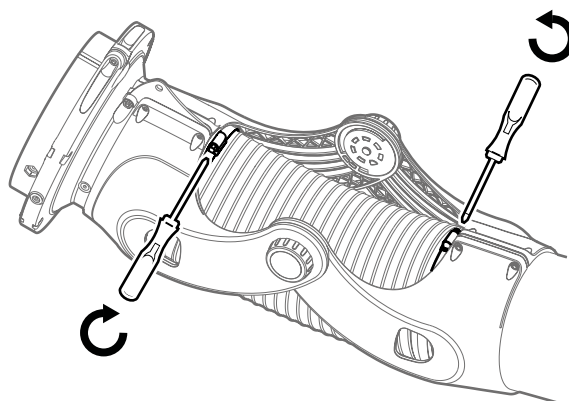
5



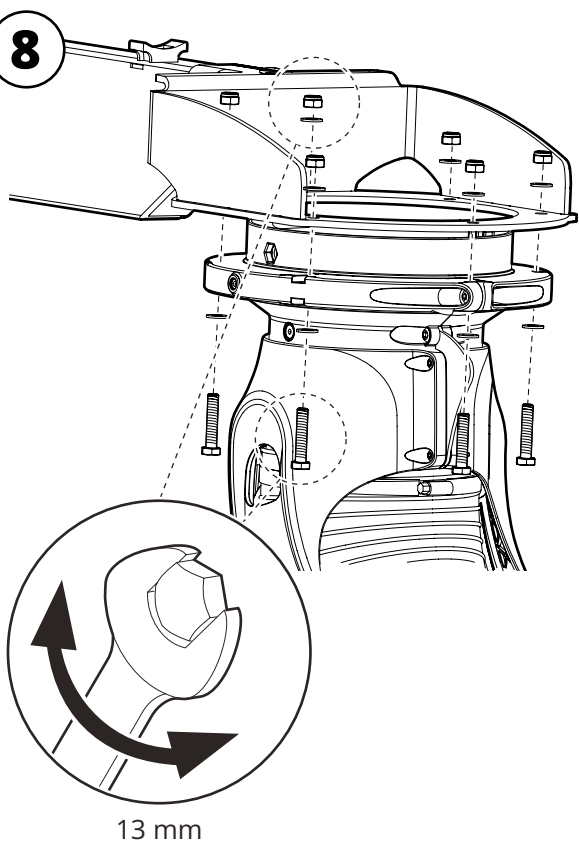
6



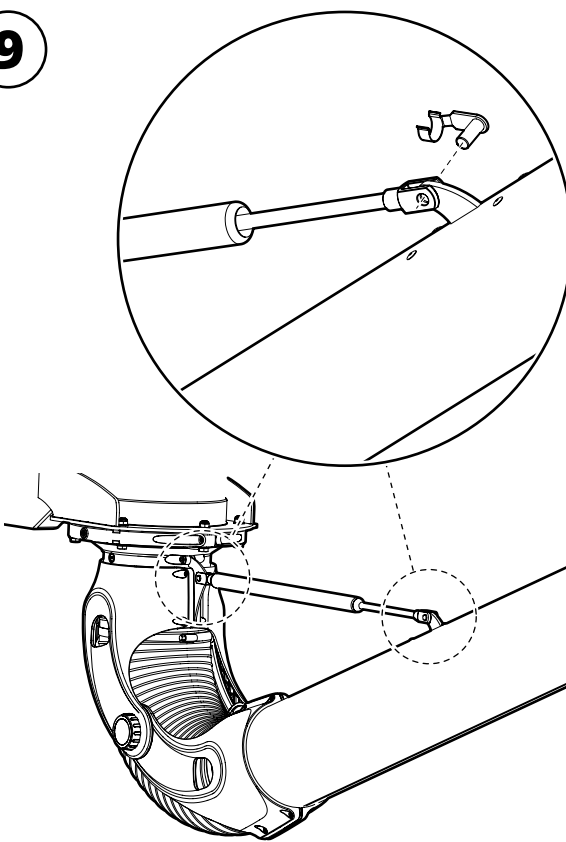
7



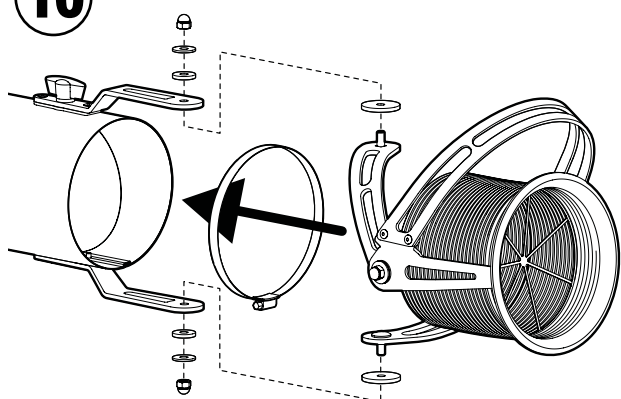
8



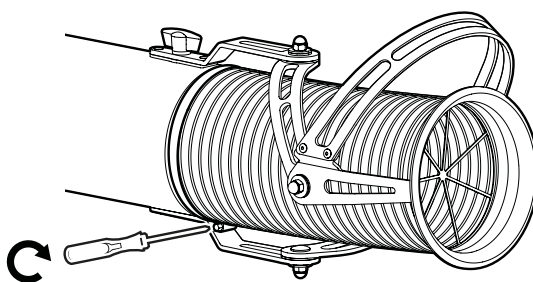
9



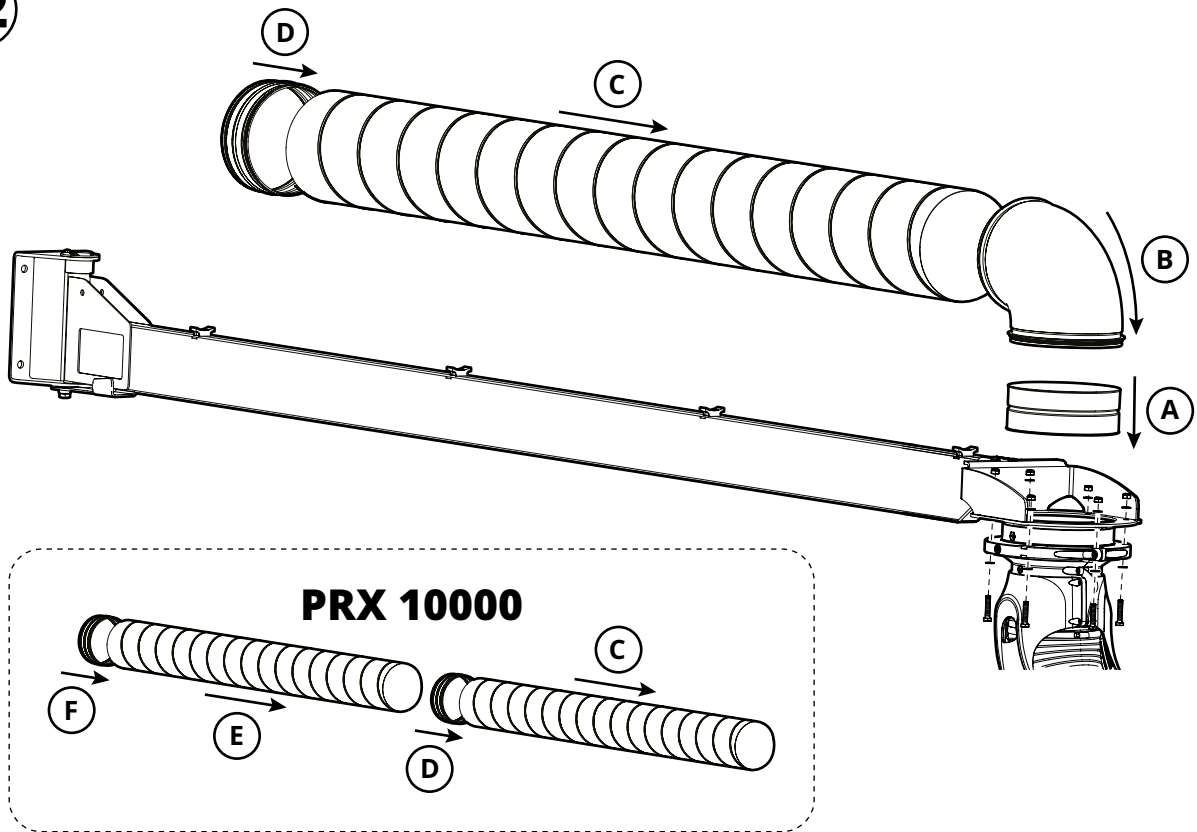
10



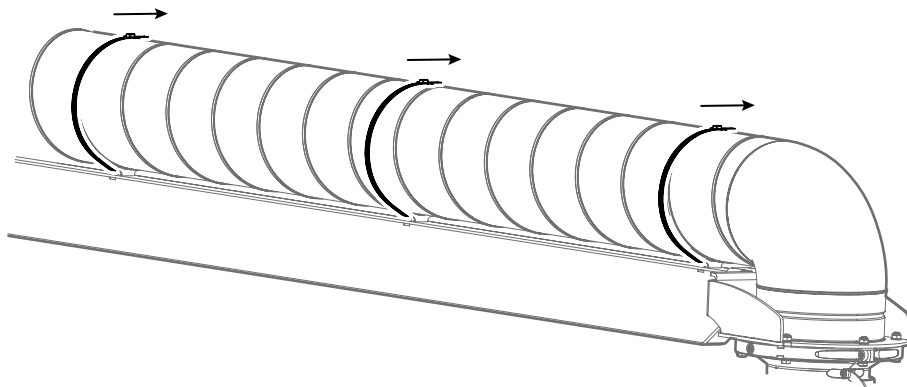
11



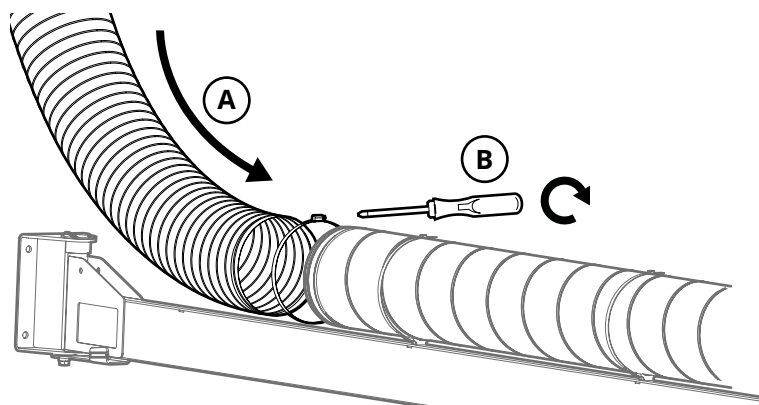
12



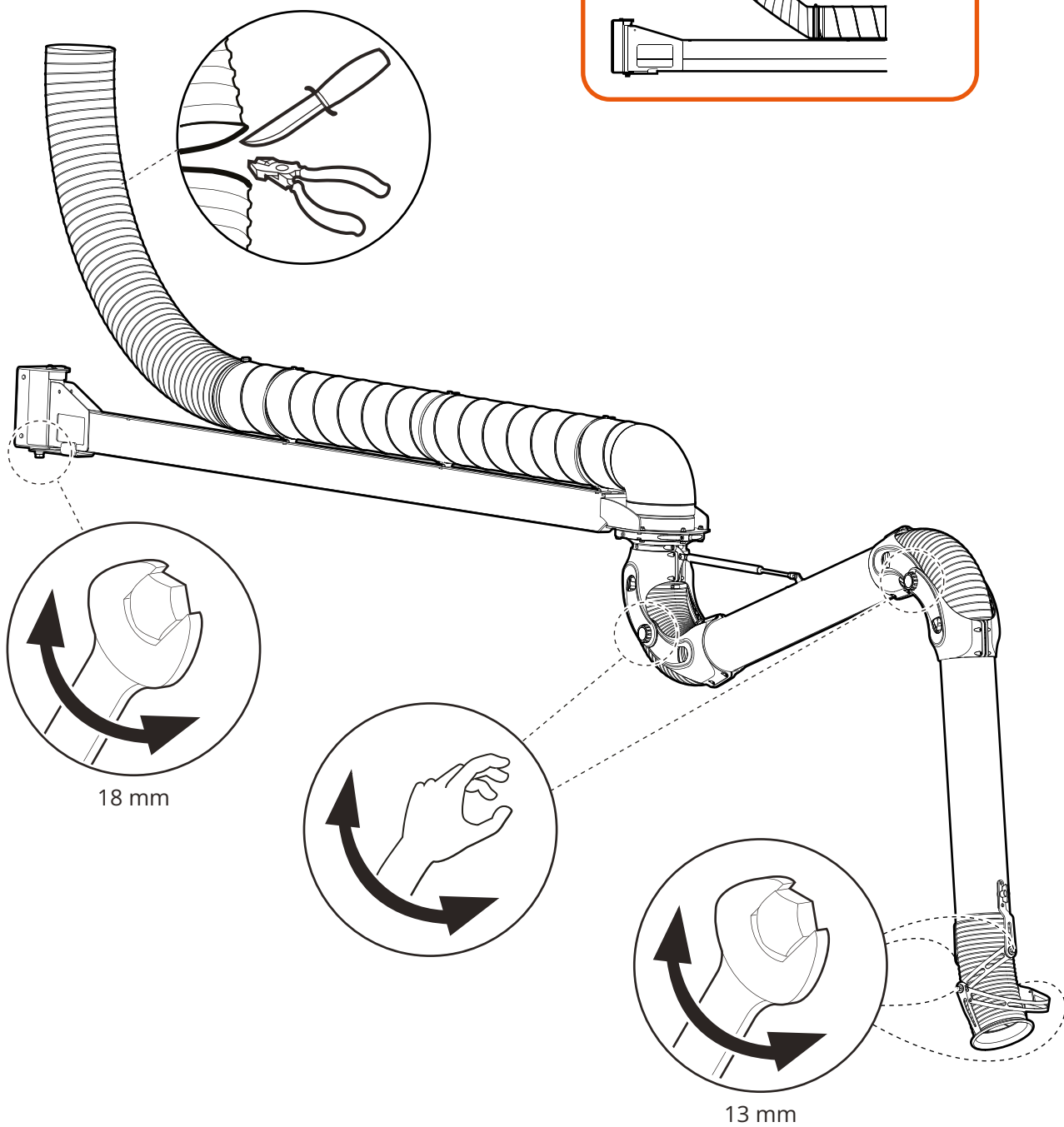
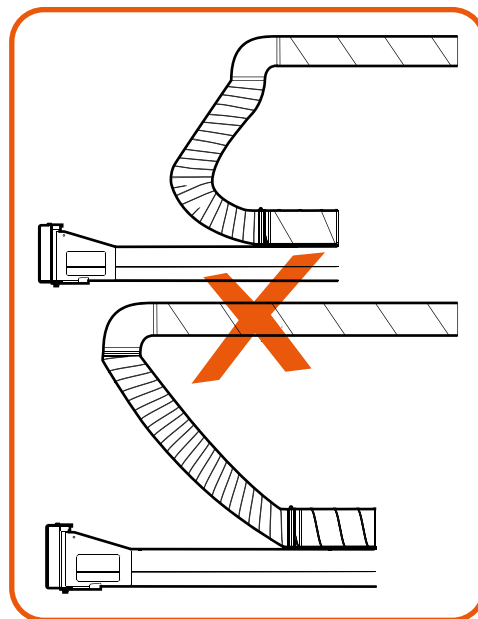
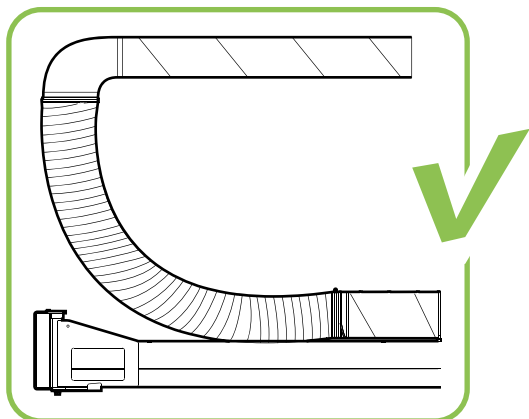
13



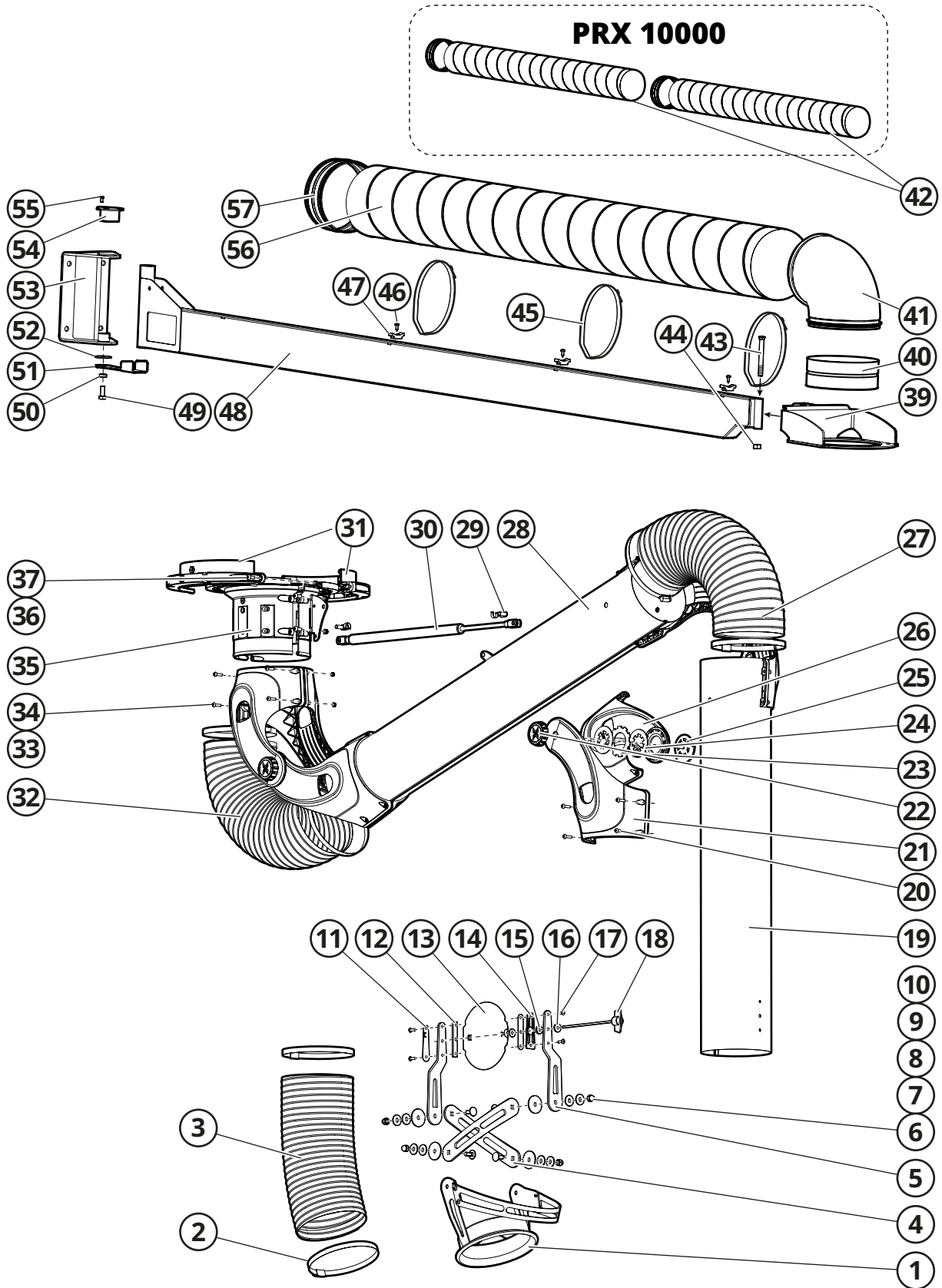
14



15



# Exploded view



EXTRACTION ARMS · VEHICLE EXHAUST EXTRACTION · FANS · FILTERS · CURTAINS · CONTROLS

**MOVEX**

104 Commerce Drive, Suit C, NORTHAMPTON, PA 19067, USA · Tel 610-440-0478 · info@movexinc.com · [www.movexinc.com](http://www.movexinc.com)