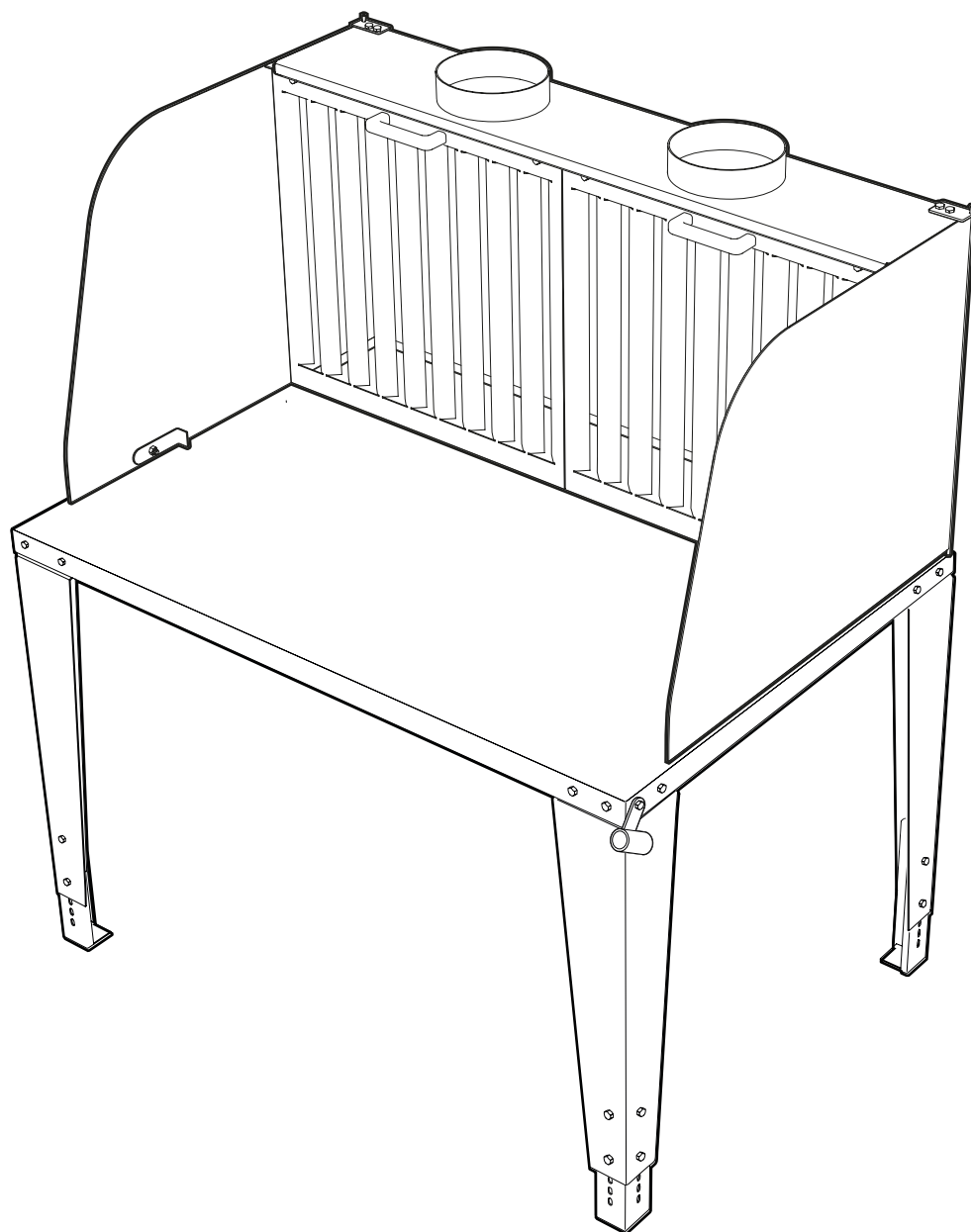
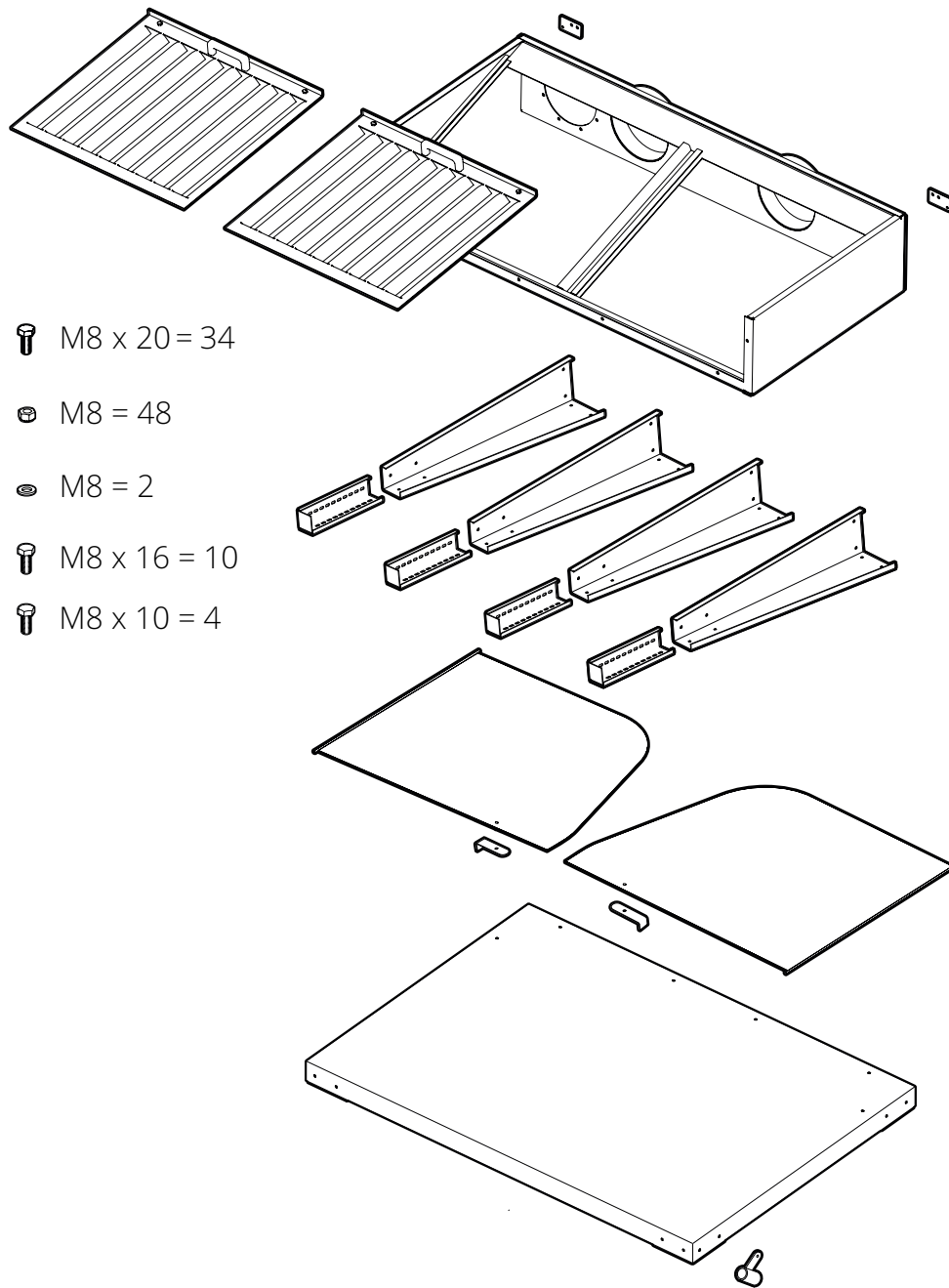


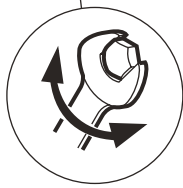
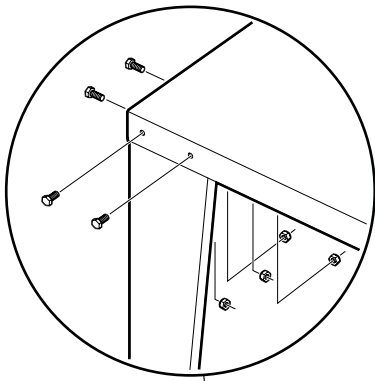


# TW

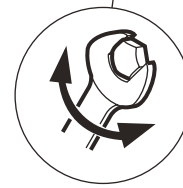
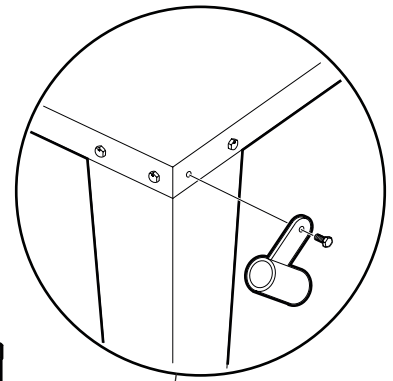
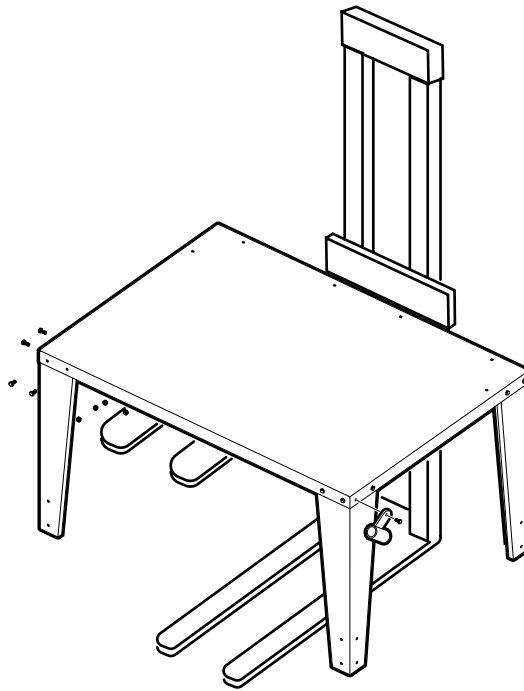




1

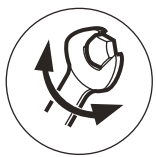


13 mm  
M8x20 x 12

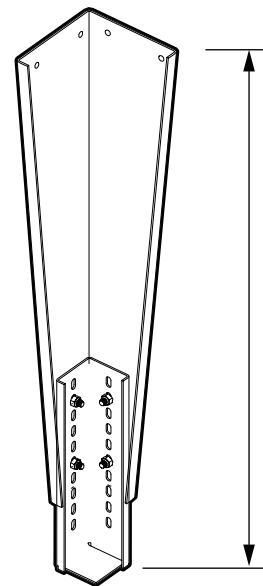
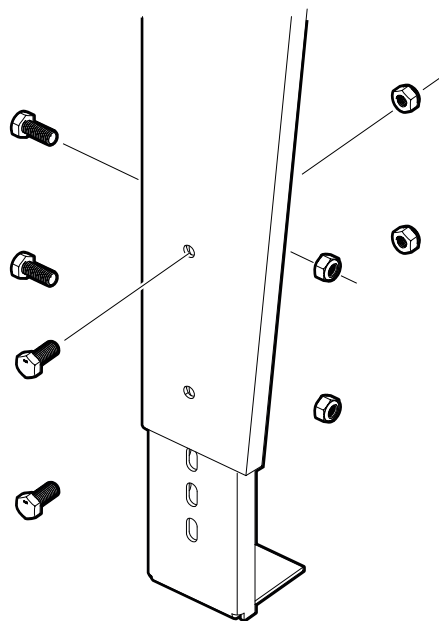


13 mm  
M8x20 x 12

2

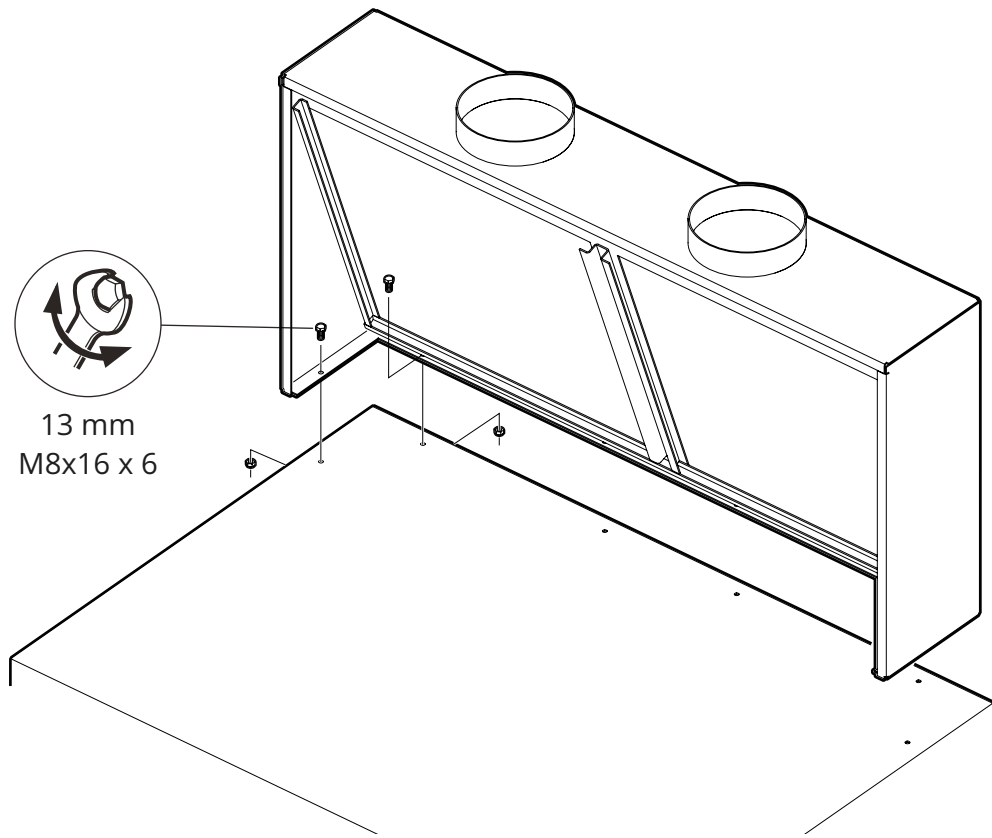


13 mm  
M8x20 x 16



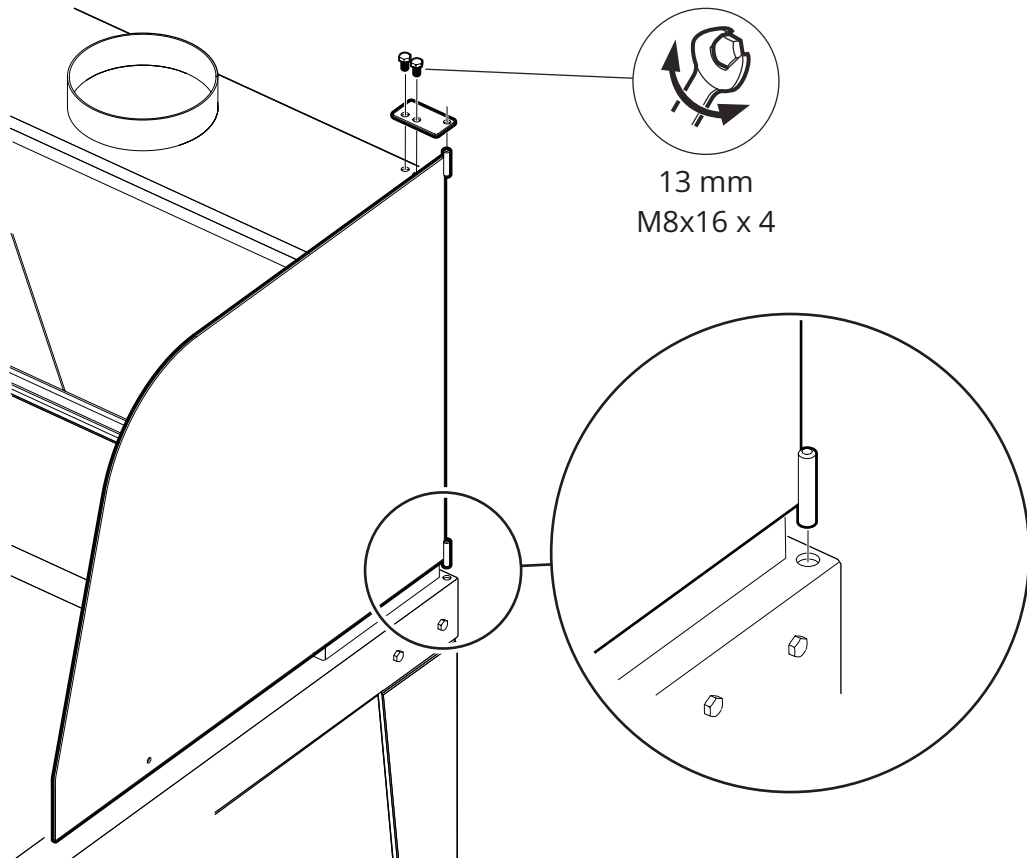
31 1/2" - 37 3/8"

3



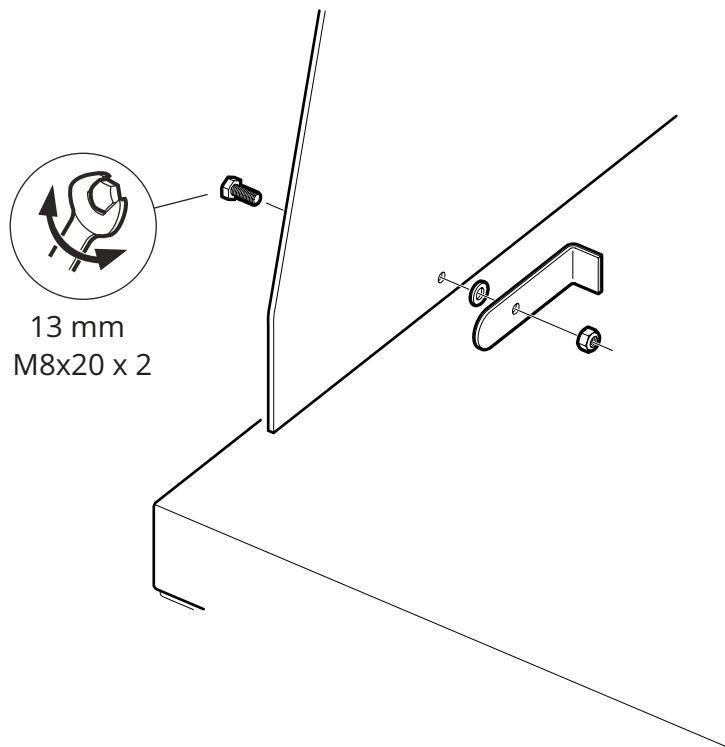
13 mm  
M8x16 x 6

4

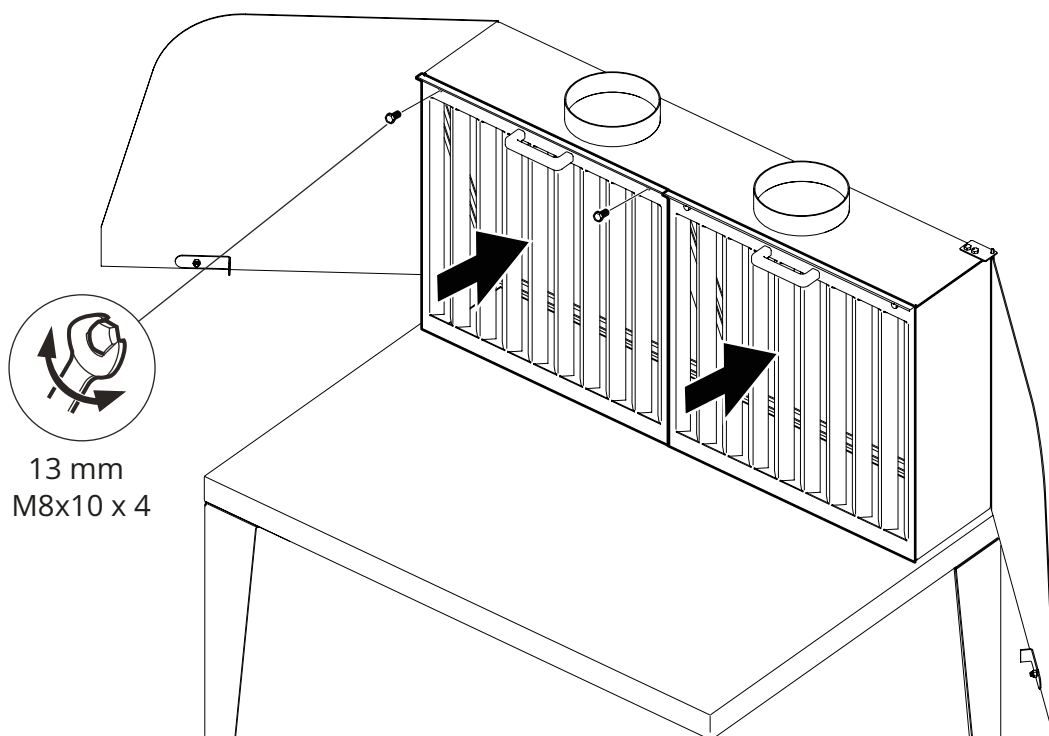


13 mm  
M8x16 x 4

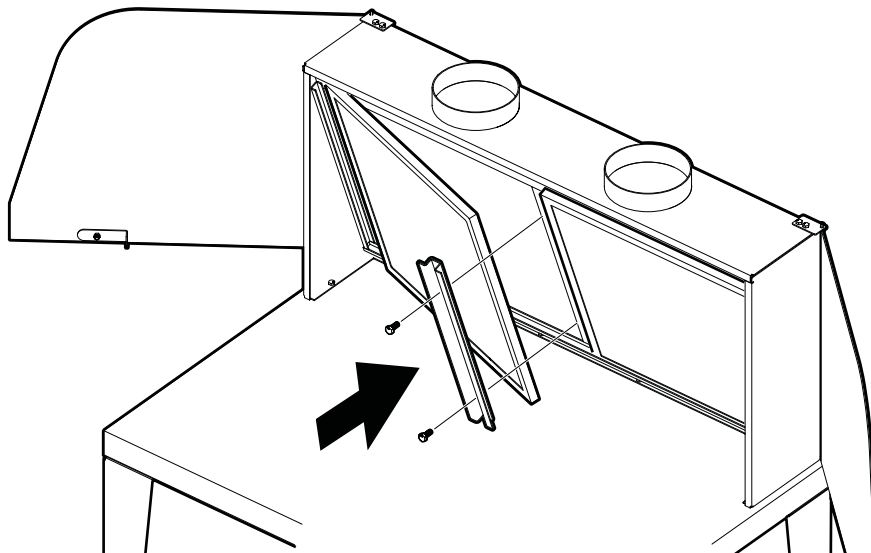
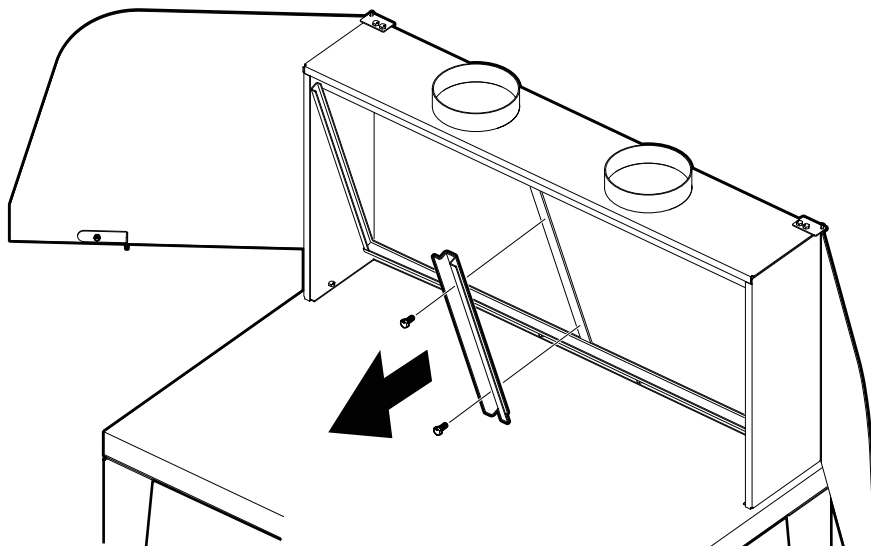
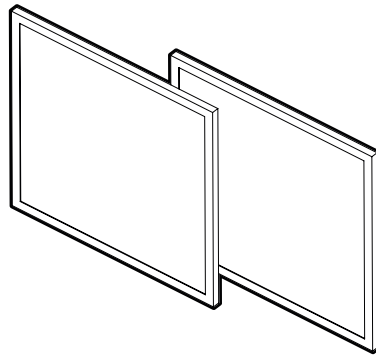
5



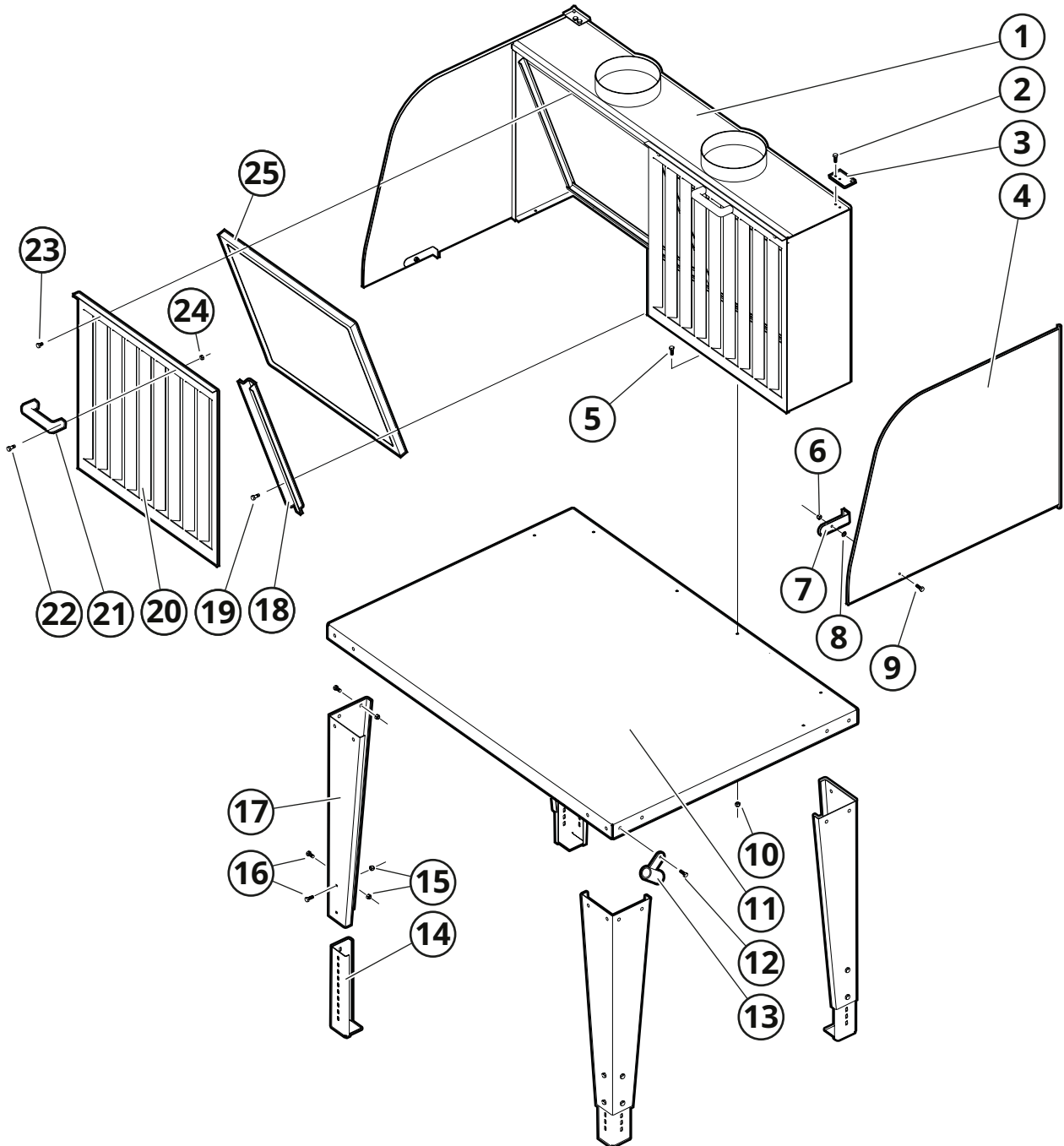
6



# Spark trap TST (Accessory)



# Exploded view



EXTRACTION ARMS · VEHICLE EXHAUST EXTRACTION · FANS · FILTERS · CURTAINS · CONTROLS

**MOVEX**

104 Commerce Drive, Suit C, NORTHAMPTON, PA 19067, USA · Tel 610-440-0478 · info@movexinc.com · [www.movexinc.com](http://www.movexinc.com)