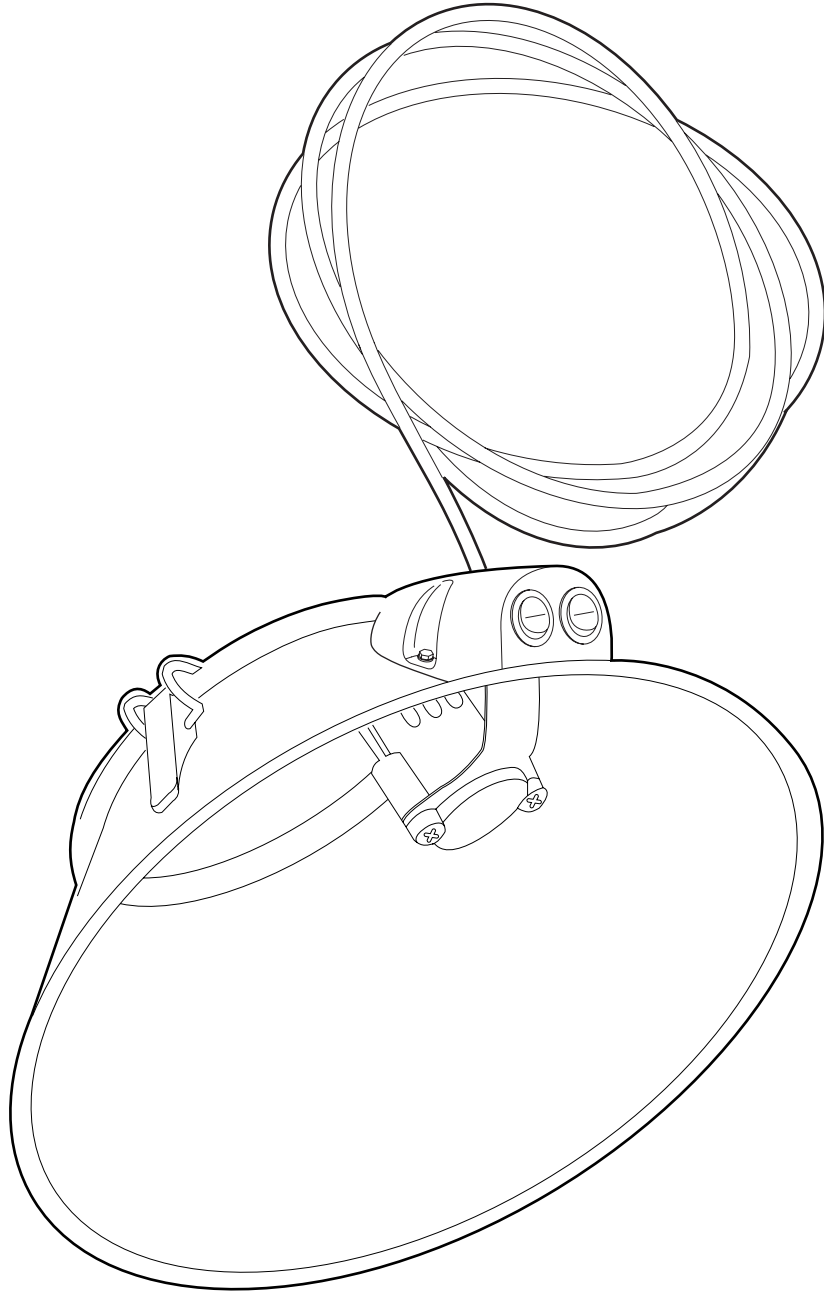


Installation+



PK

LED | T | LED/T



MOVEX

PURE ADVANTAGE

General



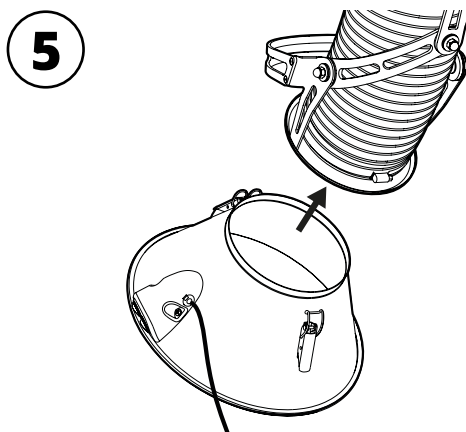
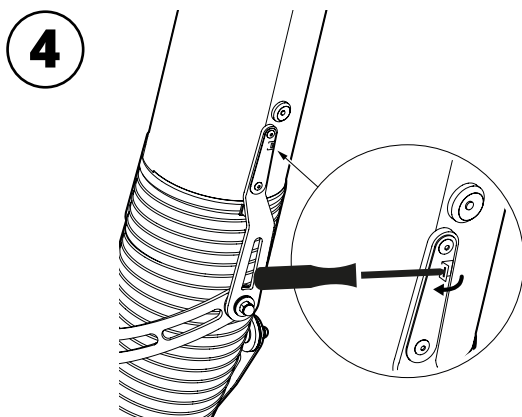
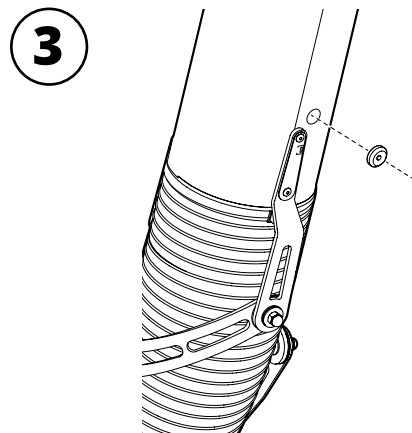
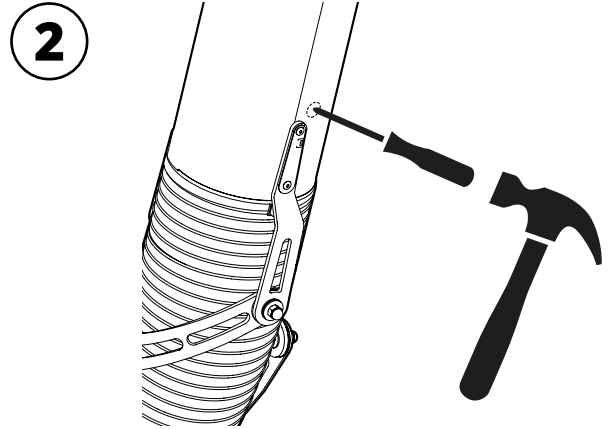
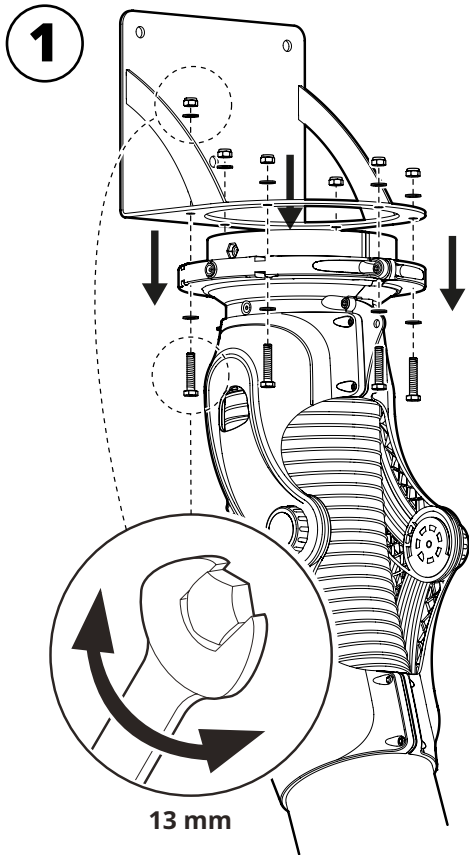
Electrical components may only be installed by a qualified electrician.

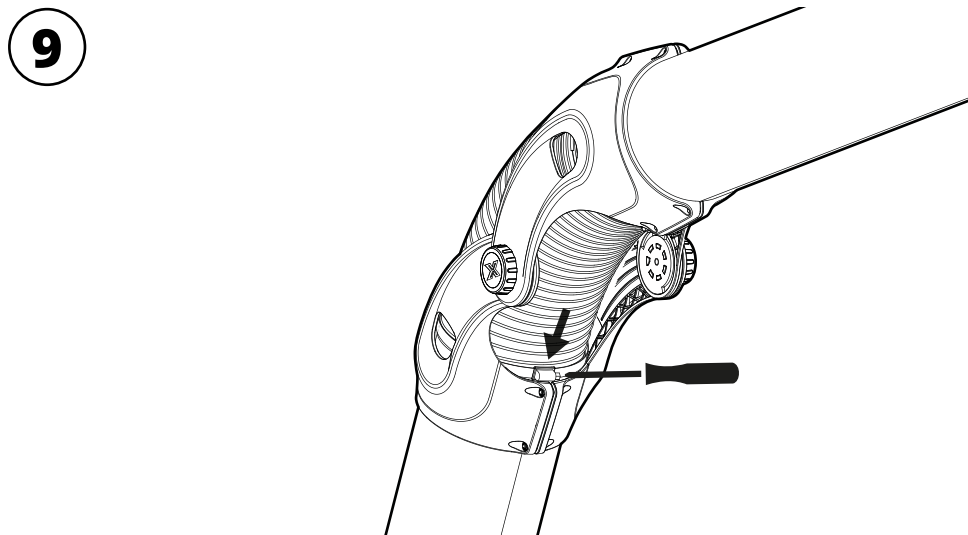
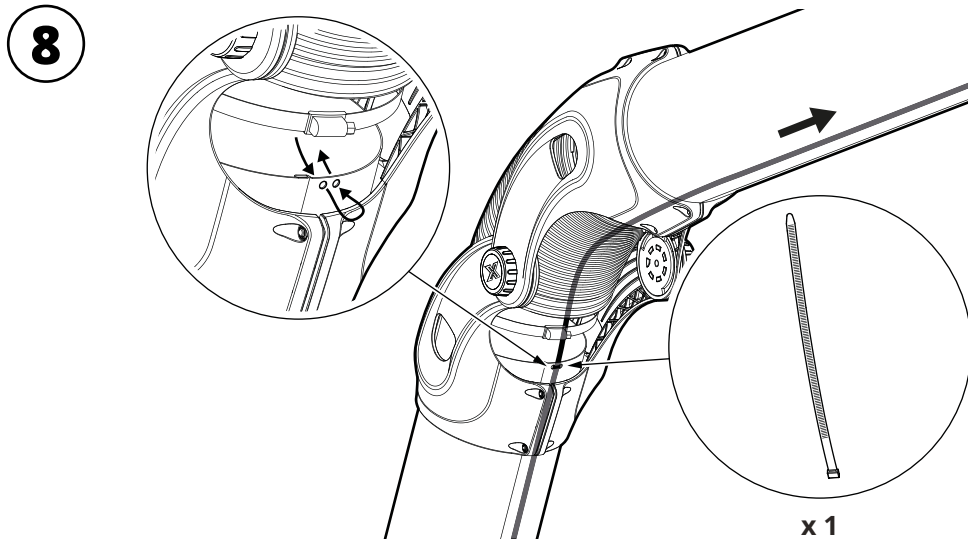
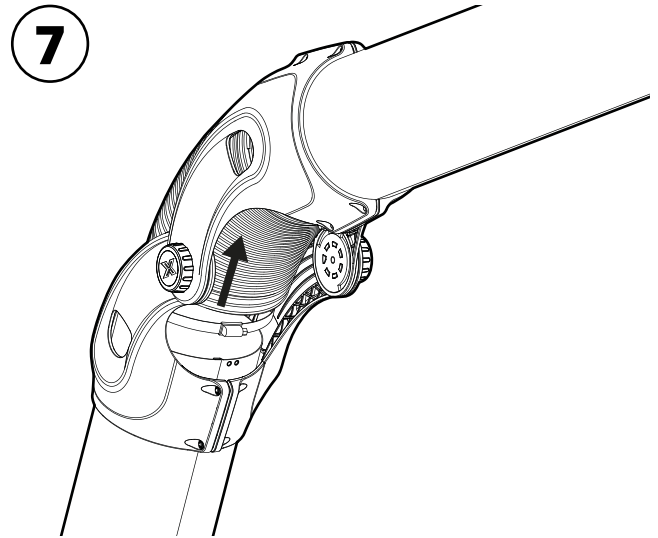
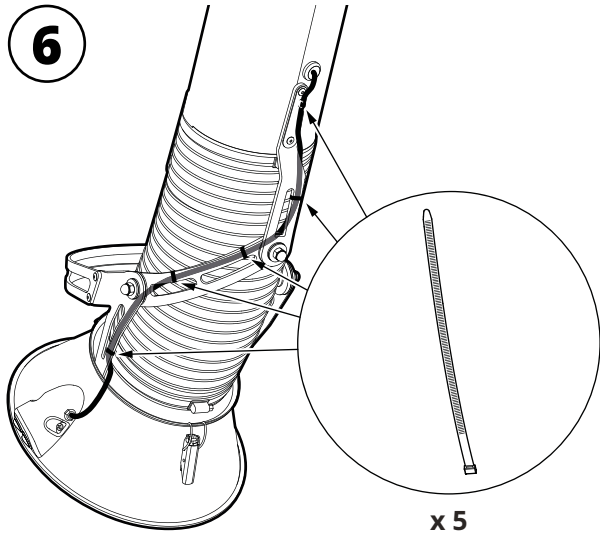
Maximum one lamp can be connected to the power supply.

Push Button Kit PK T, PK LED and PK LED/T is developed for easy starting / stopping of example lamp, fan and damper. If running the LED lamp use the enclosed power supply.

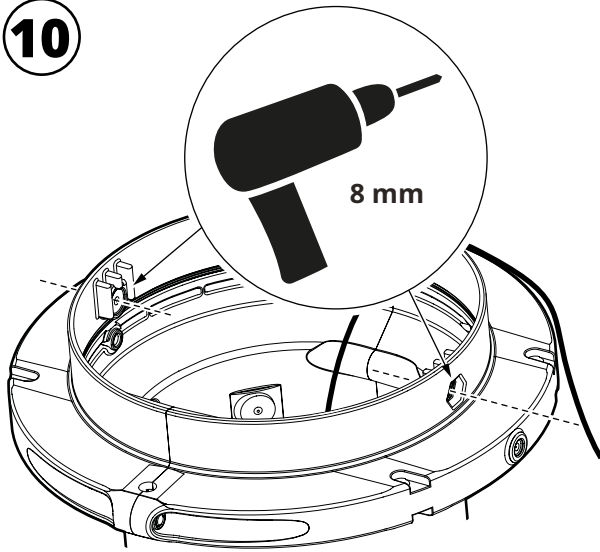
Power supply has built-in AC/DC Converters and supplies the LED with a constant current (350mA).

Installation

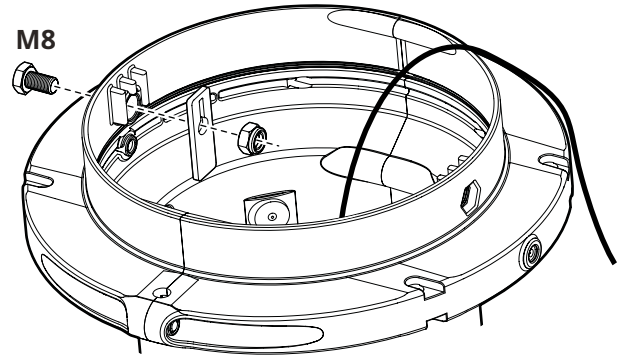




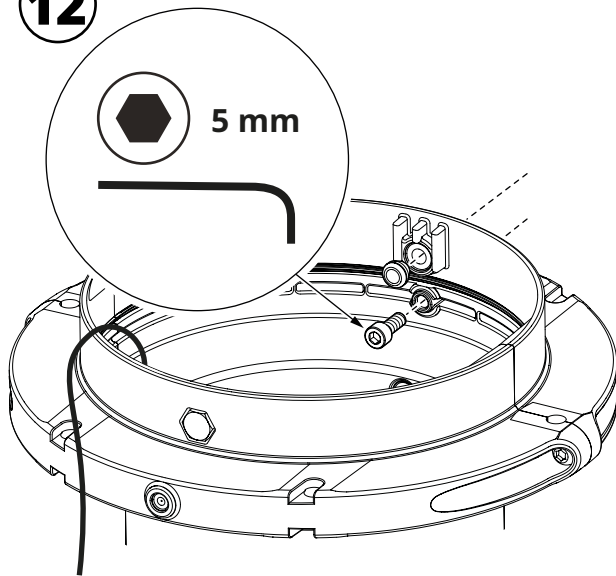
10



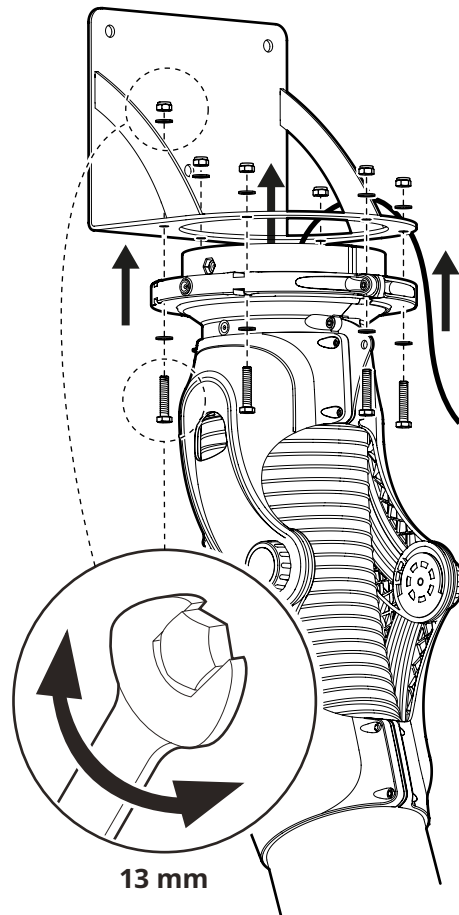
11



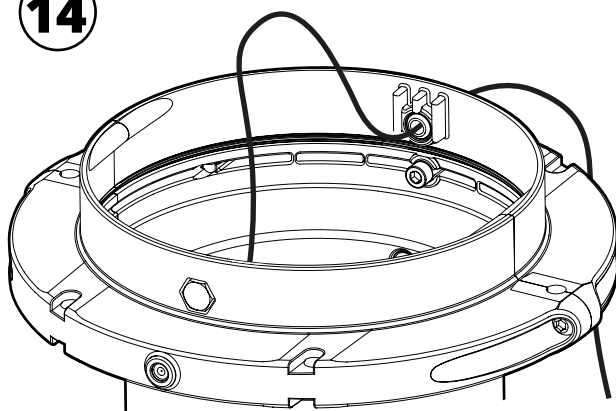
12



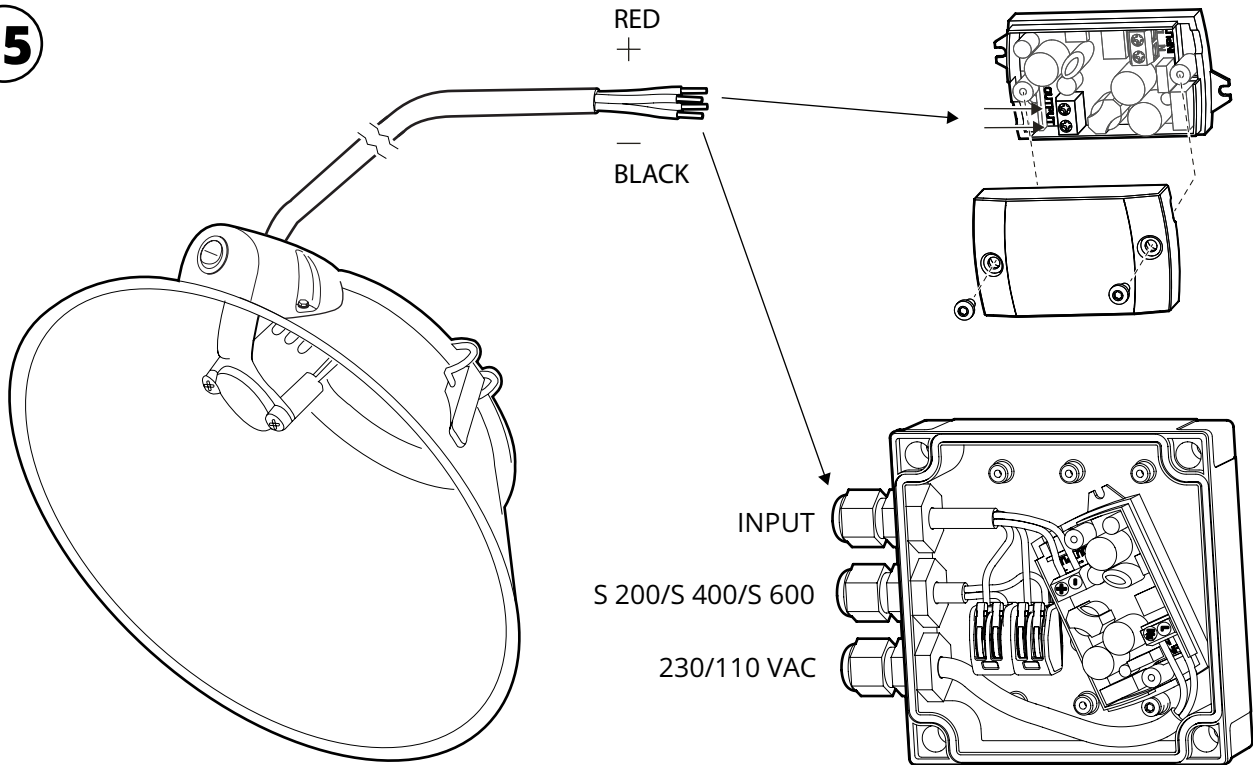
13



14

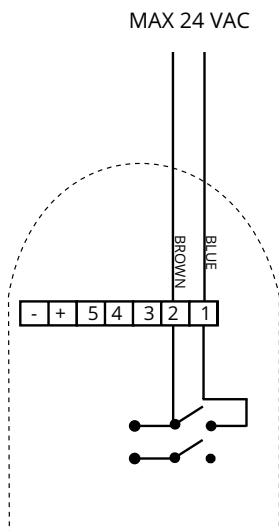


15

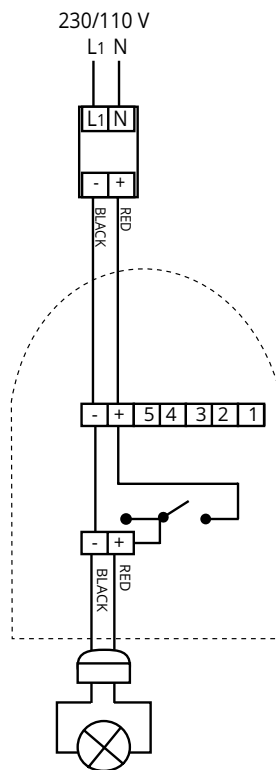


Schematics

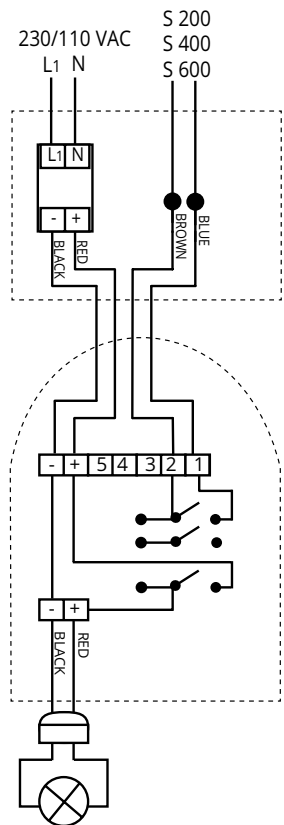
PK T



PK LED



PK LED/T



Technical data

Installation

Terminal INPUT 100-240V 1N~ (1).
Terminal OUTPUT 3-21VDC @350mA (2)
Effect:..... Max 6W
Frequency: 50-60 Hz
Terminal:..... Max AWG 15/terminal
Ambient temp.: 32 to 122°F
Weight:..... 1.16 oz

Meets requirements

Lighting materials - General:..... UL8750 BASED ON UL1310

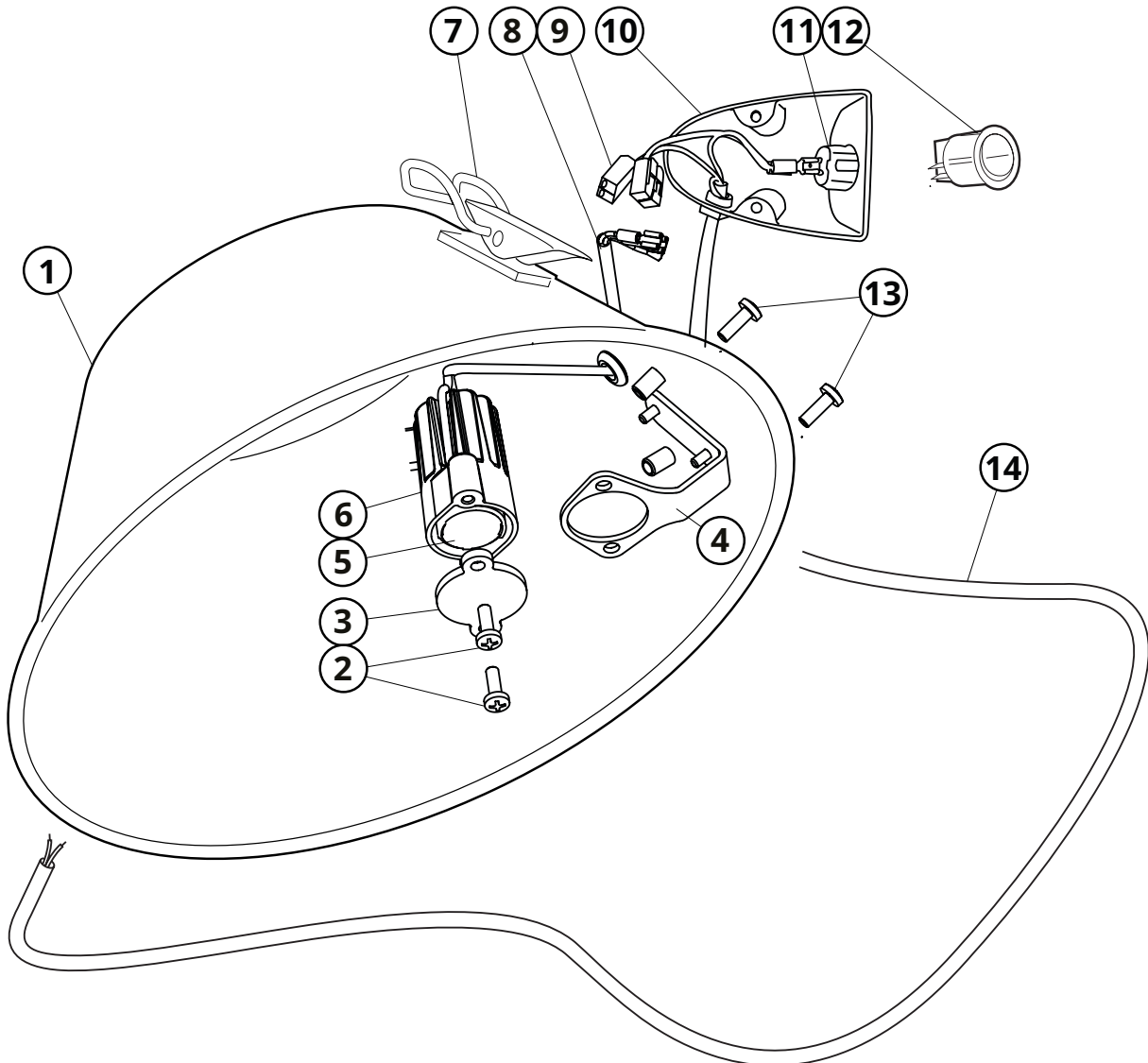
Housing

Material:..... PCB
IP Rating: IP 20
Dimension (inch):..... $2 \frac{11}{16} \times 1 \frac{7}{16} \times \frac{13}{16}$

Maintenance

Maintenance free

Exploded view



Notes

THE MOVEX RANGE INCLUDES EXTRACTION ARMS · VEHICLE EXHAUST EXTRACTION · FANS · FILTERS · CONTROLS

MOVEX

104 Commerce Drive, NORTHAMPTON, PA 18067, USA • Tel: 610-440-0478 • Fax: 610-440-0480 • Email: info@movexinc.com

www.movexinc.com