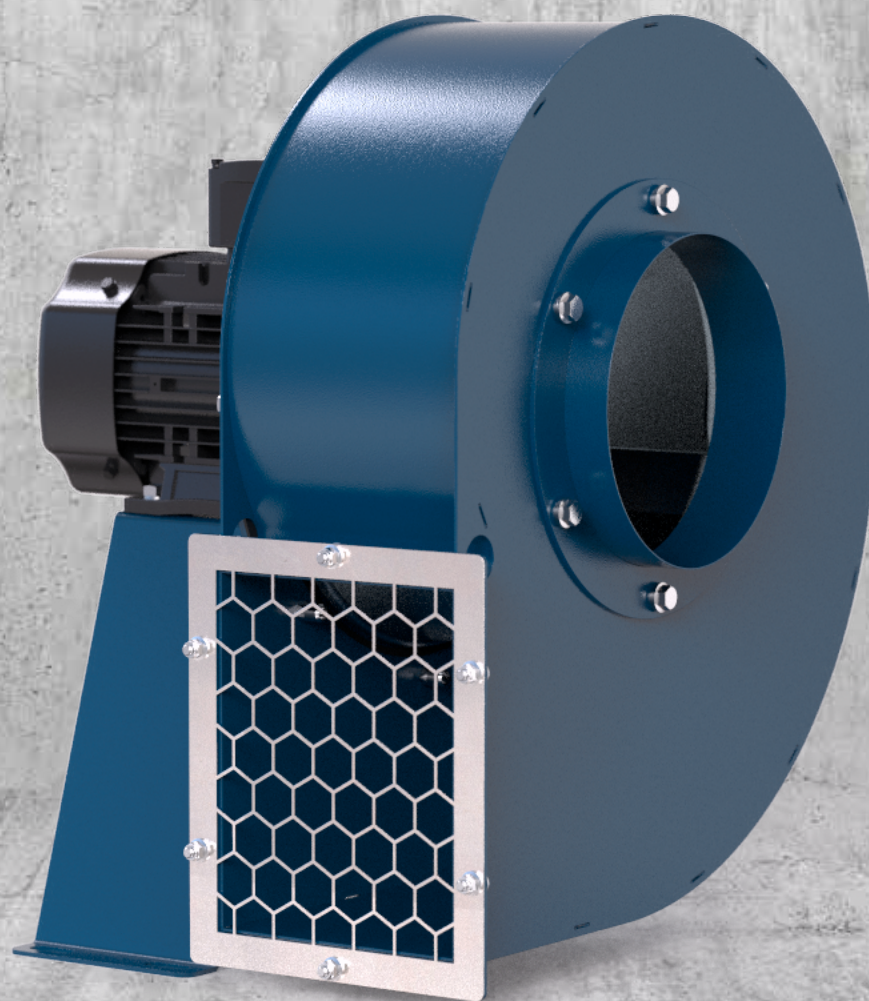




FB

Performance and design with many benefits





Performance and design gives the FB many benefits

The **Movex FB** represents a range of radial fans for extraction of gases, smoke, and small particles. For airflows ranging from 200 to 7000 cfm.

The fans are optimized for use together with the Movex product range for local extraction in industrial environments and vehicle workshops. Fan housing is manufactured in powder-coated sheet steel as standard.

There are a number of accessories available to make installation and use easier and more efficient.

Impeller

The impeller with backward curved blades is manufactured from electro-galvanized sheet steel. An optional non-sparking impeller, complying with the AMCA type B specifications, is available for all fan sizes except the FB 1506, 15 HP.

Motor

3-phase or 1-phase asynchronous motor. Protection class IP 55. All 3-phase motors are VFD-ready. The FB fan motor is manufactured in accordance with:

- ANSI/UL 1004-1
- CSA-C22.2 No. 100
- NEMA

Additional information

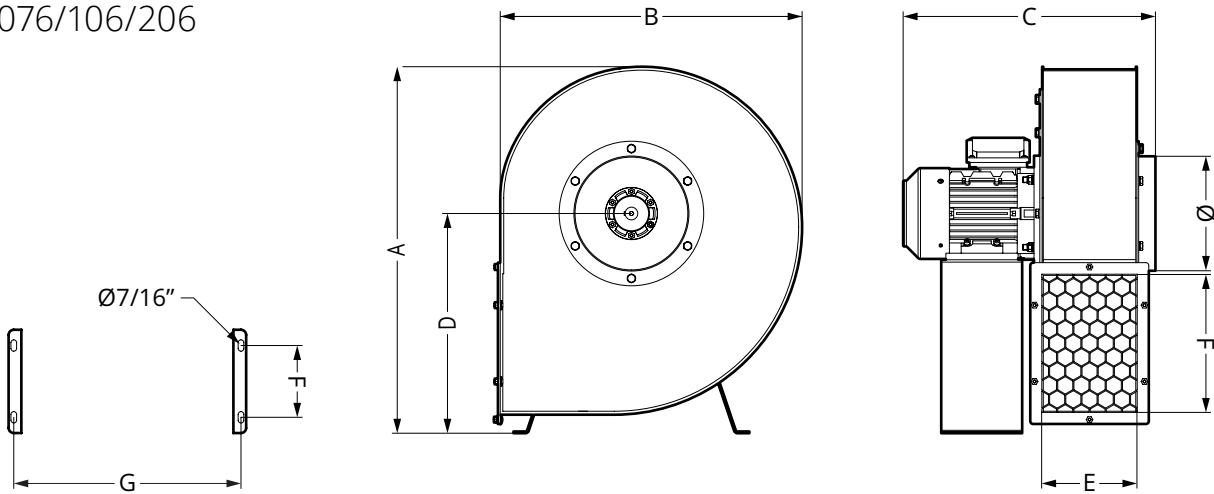
The operating temperature for the fan is a maximum air temperature of 176°F and a maximum ambient temperature of 104°F.

Controls

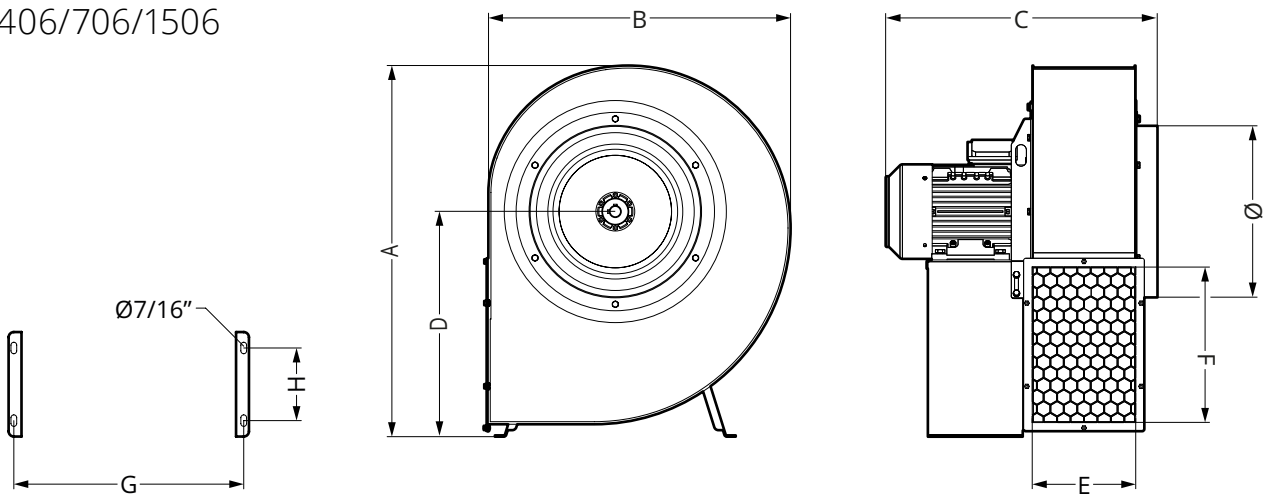
The Movex product range also includes contactors and manually operated protective motor switches. The Movex SFC VFD is used for speed control, and this can be combined with the ST 300 pressure regulator for economic operation (see controls product sheet for automatic control).

Dimensional drawing (in)

FB 076/106/206



FB 406/706/1506



| Designation | Dimensions (inch) | | | | | | | | | Weight (lb) |
|-------------|----------------------------------|----------------------------------|----------------------------------|----------------------------------|--------------------------------|--------------------------------|----------------------------------|--------------------------------|----------------------------------|-------------|
| | A | B | C | D | E | F | G | H | Ø | |
| FB 076 | 20 | 16 ¹⁵ / ₁₆ | 15 ¹³ / ₁₆ | 12 ¹ / ₁₆ | 5 ³ / ₁₆ | 7 ⁷ / ₁₆ | 12 ¹¹ / ₁₆ | 3 ⁹ / ₁₆ | 6 ⁵ / ₁₆ | 49 |
| FB 106 | 22 ⁵ / ₁₆ | 18 ¹⁵ / ₁₆ | 18 ⁵ / ₈ | 13 ³ / ₈ | 6 ⁵ / ₈ | 8 ³ / ₈ | 13 ⁷ / ₈ | 3 ⁷ / ₆₄ | 9 ¹³ / ₁₆ | 66 |
| FB 206 | 27 ¹³ / ₁₆ | 23 ³ / ₄ | 21 ¹ / ₈ | 16 ⁵ / ₈ | 7 ³ / ₃₂ | 10 ² / ₃ | 17 ²¹ / ₆₄ | 5 ¹ / ₂ | 12 ³ / ₈ | 101 |
| FB 406* | 34 ⁷ / ₃₂ | 28 ¹ / ₄ | 24 ⁷ / ₁₆ | 20 ⁷ / ₈ | 9 ⁷ / ₁₆ | 15 | 21 ¹ / ₅ | 5 ¹ / ₂ | 15 ³ / ₄ | 150 |
| FB 706* | 34 ⁵ / ₁₆ | 28 ¹ / ₄ | 27 ⁹ / ₁₆ | 20 ¹⁵ / ₁₆ | 9 ⁷ / ₁₆ | 15 | 23 ¹ / ₂ | 7 | 15 ³ / ₄ | 227 |
| FB 1506* | 38 ¹¹ / ₁₆ | 31 ¹ / ₄ | 33 ³ / ₃₂ | 23 ⁷ / ₈ | 12 | 15 ⁴ / ₅ | 26 ⁵ / ₈ | 8 ⁷ / ₁₆ | 19 ¹¹ / ₁₆ | 377 |

* Manufactured with reinforced lifting eyelets.

Motor data

| Designation | Nominal speed (rpm) | | Rated power (hp) | Rated current A | | | |
|-------------|---------------------|---------|------------------|-----------------|---------|-------|-------|
| | 1-phase | 3-phase | | 1-phase | 3-phase | | |
| | | | | 115 V | 208 V | 230 V | 460 V |
| FB 076-1/3 | 3340 | 3440 | 0.7 | 7.20 | 2.45 | 2.20 | 1.10 |
| FB 106-1/3 | 3360 | 3360 | 1.0 | 10.0 | 4.10 | 3.70 | 1.85 |
| FB 206-1/3 | 3360 | 3470 | 2.0 | 20.0 | 6.20 | 5.60 | 2.80 |
| FB 406 | - | 3350 | 4.0 | - | 11.7 | 10.6 | 5.30 |
| FB 706 | - | 3535 | 7.0 | - | 19.4 | 17.6 | 8.80 |
| FB 1506 | - | 3550 | 15.0 | - | 38.9 | 35.2 | 17.6 |

Sound pressure Lp dB (A)

Measures of the sound pressure presented in the diagrams under **Fan performance** are tested in accordance with ISO 3746 with the inlet duct connected and the outlet free blowing. Measured at a distance of 40 feet from the fan. With half-spherical distribution of the sound (for example on a roof). At other distances than 40 feet, the following adjustments can be made:

Distance from the fan Sound pressure level

- 15 feet..... +6 dB
- 75 feet -8 dB
- 150 feet -14 dB
- 225 feet..... -17 dB

Total sound power Lwt dB (A)

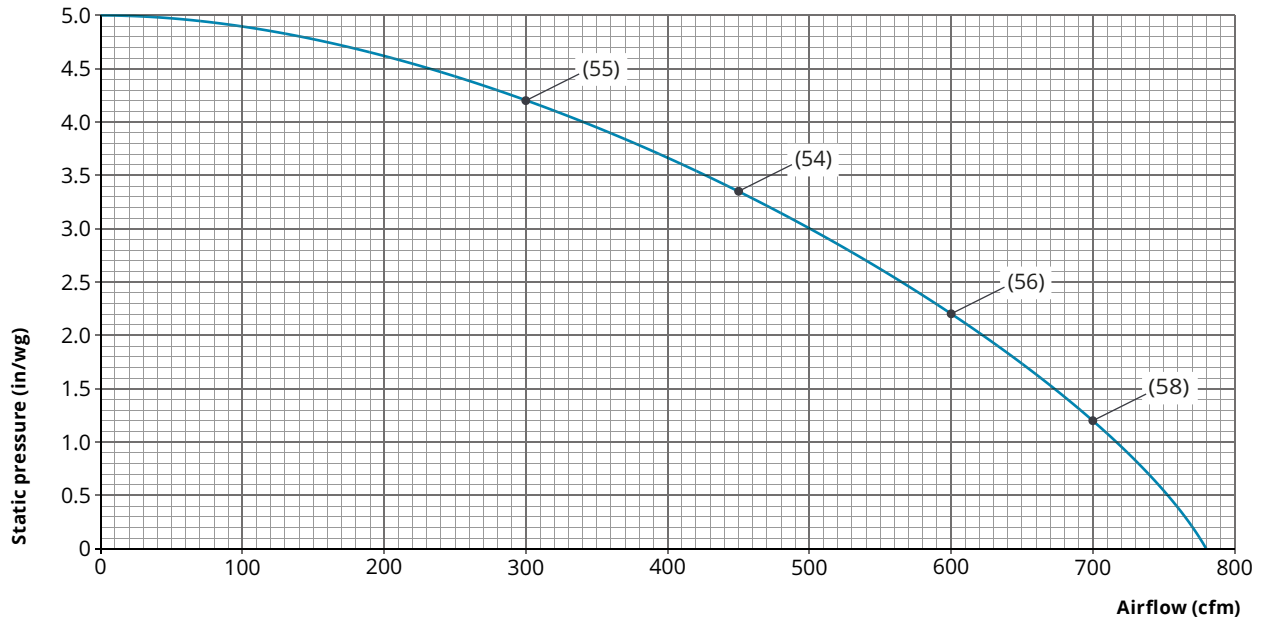
Measures of the sound power presented in the table below are tested in accordance with ISO 3746, with the inlet duct connected and the outlet free blowing.

| Designation | Frequency (Hz) | | | | | | | | Total sound power level, Lwt dB (A) |
|-------------|----------------|-----|------|-----|------|------|------|------|-------------------------------------|
| | 63 | 125 | 250* | 500 | 1000 | 2000 | 4000 | 8000 | |
| FB 076-3 | 54 | 70 | 77 | 80 | 82 | 77 | 73 | 67 | 86 |
| FB 106-3 | 55 | 71 | 78 | 81 | 83 | 78 | 74 | 69 | 87 |
| FB 206-3 | 56 | 71 | 79 | 83 | 85 | 80 | 77 | 72 | 89 |
| FB 406 | 64 | 79 | 87 | 90 | 92 | 87 | 84 | 78 | 96 |
| FB 706 | 62 | 77 | 84 | 87 | 89 | 84 | 81 | 76 | 93 |
| FB 1506 | 63 | 86 | 93 | 96 | 98 | 93 | 90 | 84 | 102 |

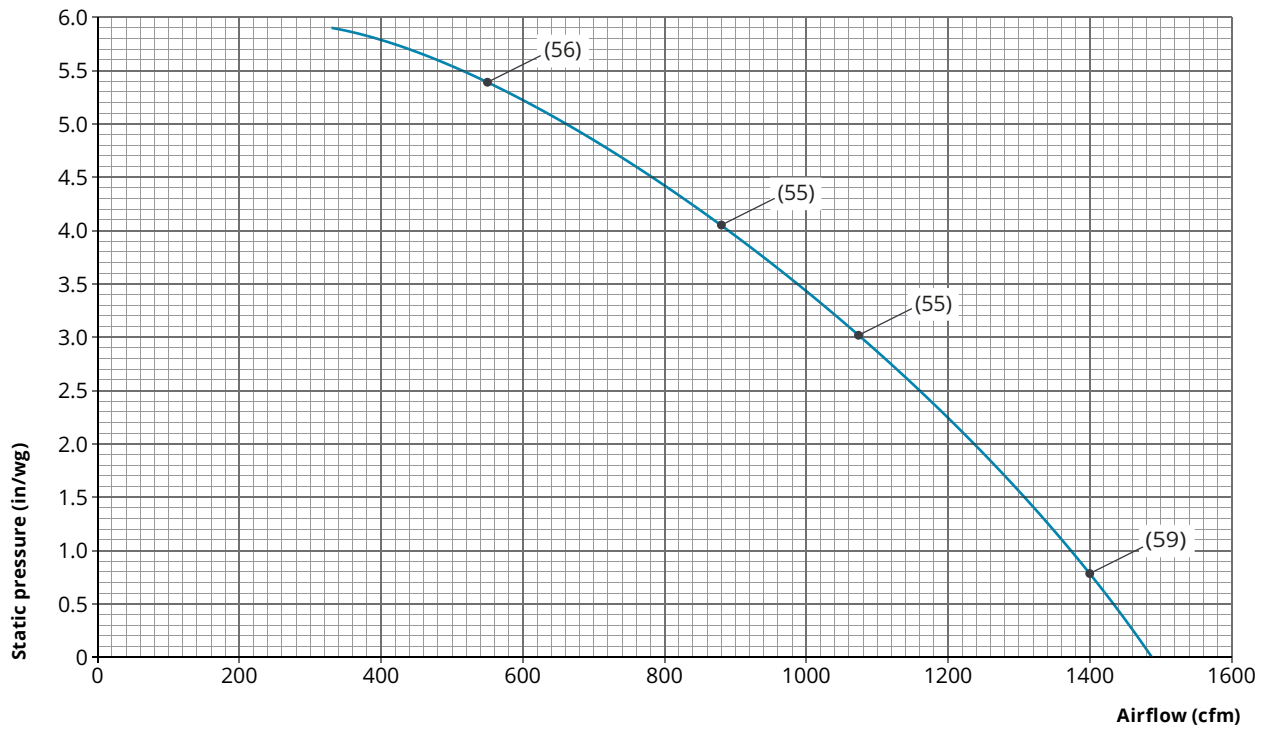
* For selection of silencer the 250 Hz frequency band is always the determining frequency.

Fan performance

FB 076



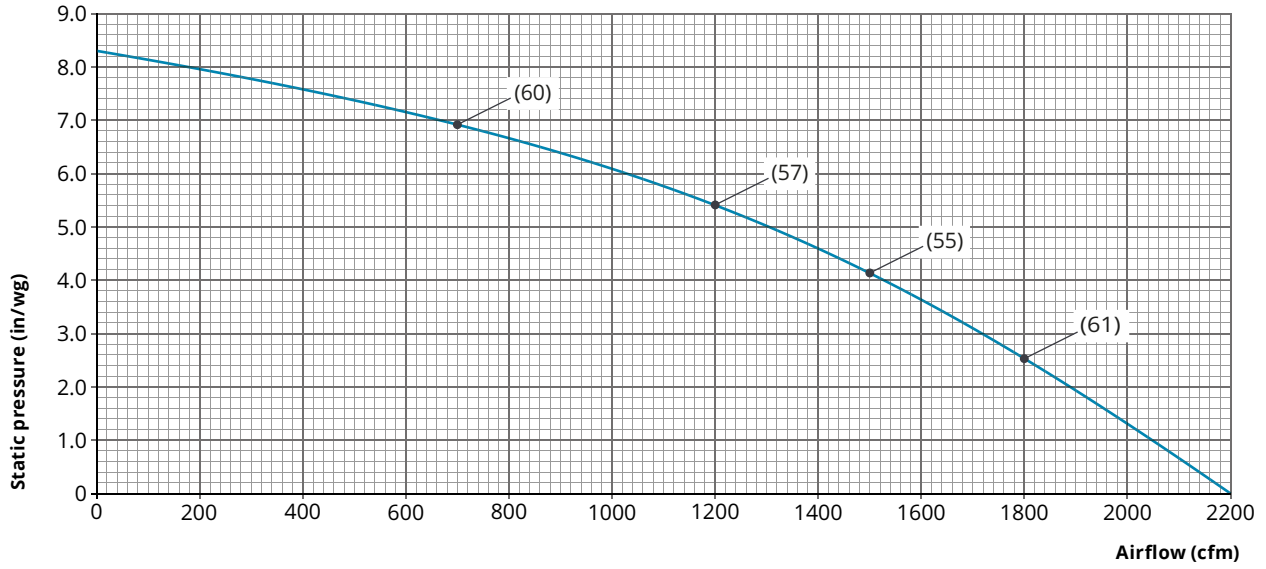
FB 106



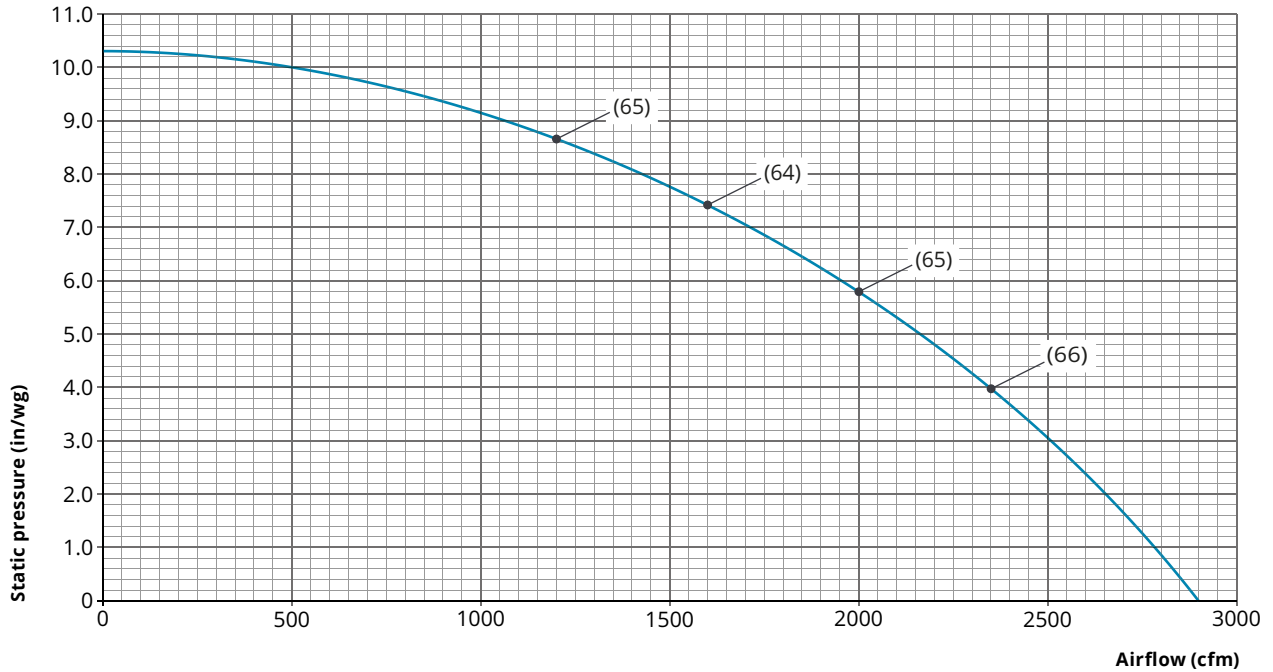
Displayed data measured in accordance with ISO 5801. (XX) displays measured sound pressure Lp dB (A), at 40 feet.

Fan performance

FB 206

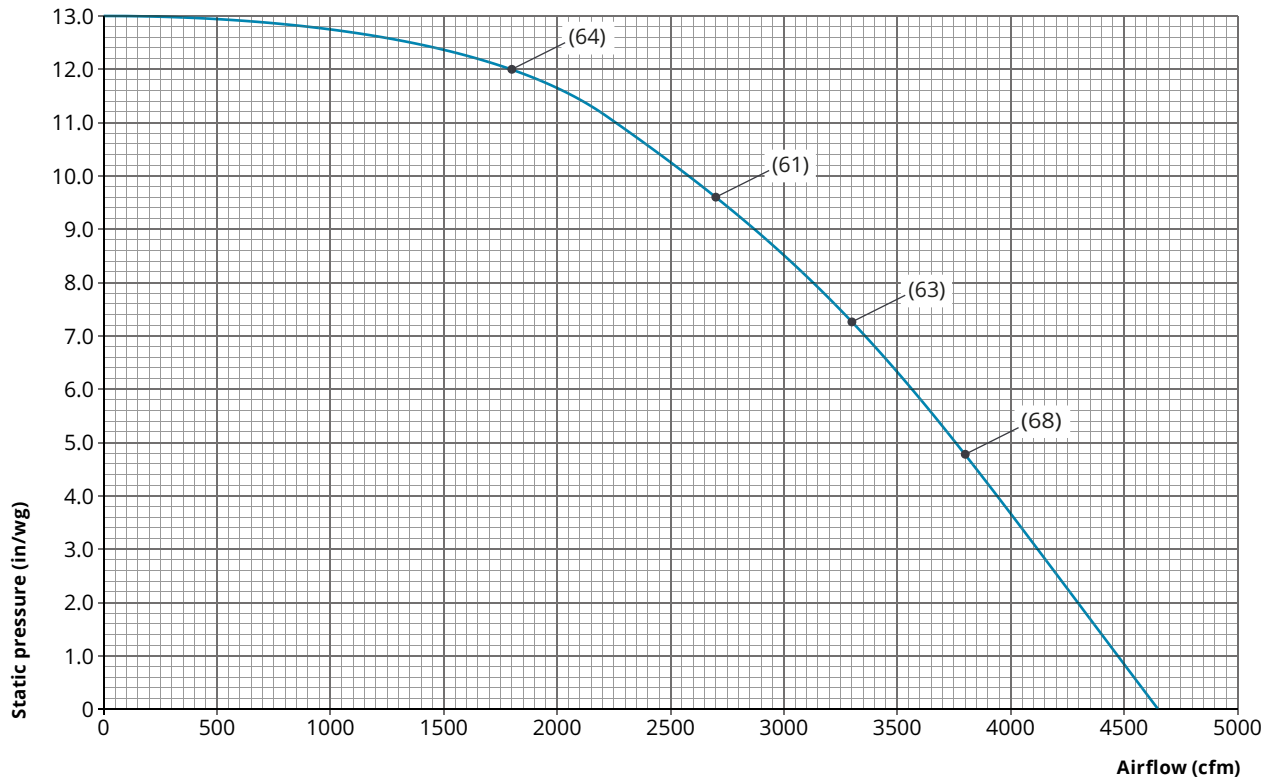


FB 406

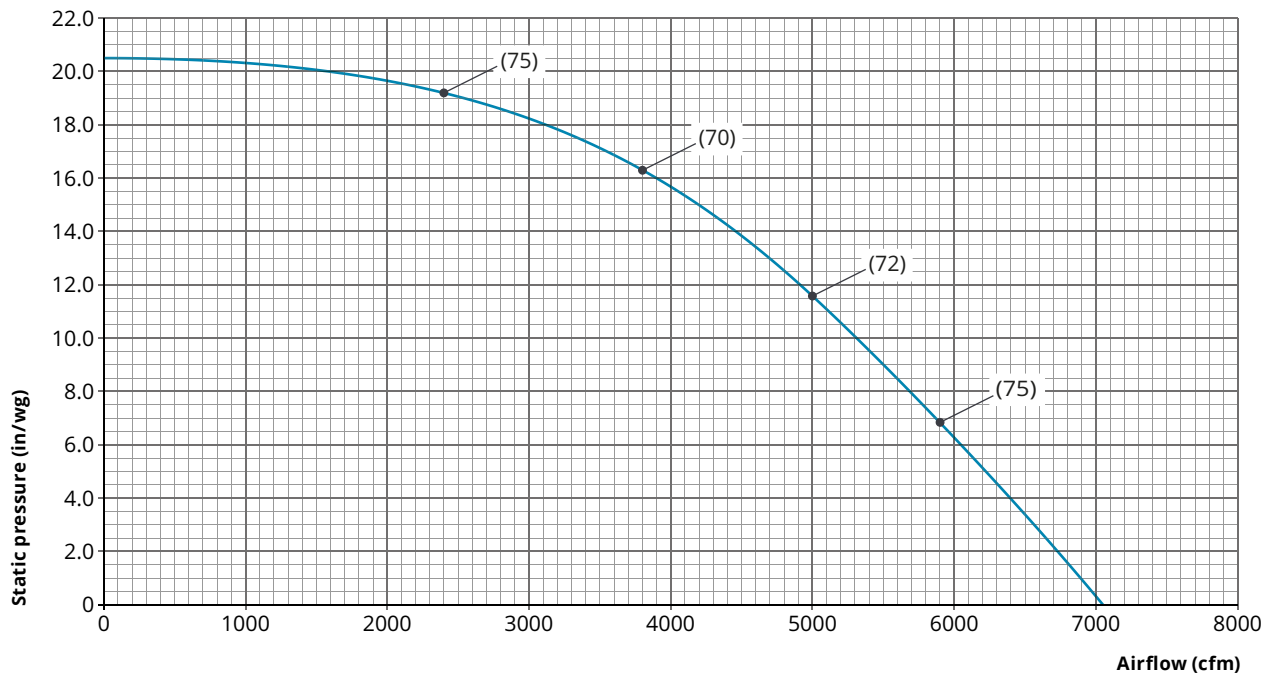


Displayed data measured in accordance with ISO 5801. (XX) displays measured sound pressure Lp dB (A), at 40 feet.

FB 706

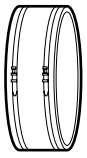


FB 1506



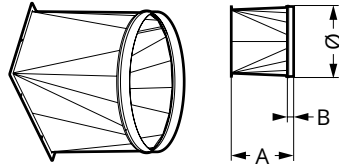
Displayed data measured in accordance with ISO 5801. (XX) displays measured sound pressure Lp dB (A), at 40 feet.

Accessories



Flexible Duct FBD

For connection to the suction side, including 2 mounting clamps.



Transition FBO

Transition for round connection.

| Designation | Compatible with | A | B | Ø |
|-------------|-----------------|---------------------------------|-------------------------------|----------------------------------|
| FBO 037 | FB 076 | 7 ⁵ / ₈ | 1 ³ / ₈ | 6 ¹ / ₄ |
| FBO 075 | FB 106 | 9 ⁵ / ₈ | 1 ³ / ₈ | 7 ¹³ / ₁₆ |
| FBO 220 | FB 206 | 10 | 1 ³ / ₈ | 9 ³ / ₄ |
| FBO 400 | FB 406/706 | 13 ⁹ / ₁₆ | 1 ³ / ₈ | 15 ¹¹ / ₁₆ |
| FBO 750 | FB 1506 | 17 ¹ / ₂ | 1 ³ / ₈ | 19 ⁵ / ₈ |



Vibration Damper Kit FBV

Kit with four vibration dampers in natural rubber with hardness 60° IRH. Prevents the spread of vibrations.



Safety Switch SSB 750/1100

With lockable toggle. Two M25 penetrations included.

Max Ampere

SSB 750 16 A
SSB 1100.....25 A



Safety Switch SSB 750/1100 EMC

For operation via frequency converter. Copper-sheathed with lockable toggle. Two M25 penetrations included.

Max Ampere

SSB 750 EMC 16 A
SSB 1100 EMC.....32 A

Specifications

Form of delivery

The fan is supplied in LG 270 version as standard, for easy installation. It is also available as in the following versions:



LG 0



LG 90



LG 180



LG 270

■ Standard delivery version

Surface finishing

Sheet metal parts: Stainless steel, powder-coated or electro-galvanized.

Design and manufacture

The FB series of fans is designed and manufactured in accordance with the following directives and standards:

- Machinery Directive 2006/42/EC
- EMC Directive 2014/30/EU
- EN ISO 12100:2010
- EN 60204-1
- ErP2015

THE MOVEX RANGE INCLUDES EXTRACTION ARMS · VEHICLE EXHAUST EXTRACTION · FANS · FILTERS · CONTROLS

MOVEX

104 Commerce Drive, Northampton, PA 18067, USA • Tel: 610-440-0478 • Fax: 610-440-0480 • Email: info@movexinc.com

www.movexinc.com